

PFA管路系统选型手册

PFA PRODUCT SELECTION GUIDE

Intelligent Manufacturing By **HPREAL**
The Expert In Ultrapure Piping System

超纯管道 | 海普瑞尔智造



海普瑞(常州)洁净系统科技有限公司

HPREAL (CHANGZHOU) CLEAN SYSTEM TECHNOLOGY CO., LTD

电话: +86-519-83608588 邮箱: sales@hpreal.com; info@hpreal.com

地址: 江苏省常州市新北区空港产业园旺贤路6号

邮编: 213133

Tel: +86-519-83608588 E-mail: sales@hpreal.com; info@hpreal.com

Address: No.6 Wangxian Road, Konggang Industrial Park, Xinbei District, Changzhou City, Jiangsu Province

P.C.: 213133

海普瑞(常州)洁净系统科技有限公司

HPREAL (CHANGZHOU) CLEAN SYSTEM TECHNOLOGY CO., LTD

CATALOG

目录

01 关于我们

ABOUT US

02 公司实力

COMPANY STRENGTH

展望未来

FUTURE PROSPECT

03 应用领域

APPLICATION AREA

认证证书

CERTIFICATIONS

04 产品类别

PRODUCT CATEGORY

05 耐压及耐热性能

PRESSURE AND HEAT RESISTANCE

06 配管尺寸

PIPE DIMENSIONS

07 管材

PIPE

09 管件

PIPE FITTING

PFA 对焊弯头	10
PFA BUTT FUSION 90 DEGREE ELBOW	
PFA 对焊弯头(厚壁)	10
PFA BUTT FUSION 90 DEGREE ELBOW (THICK WALL)	
PFA 对焊三通	11
PFA BUTT FUSION TEE	
PFA 对焊三通 (厚壁)	11
PFA BUTT FUSION TEE (THICK WALL)	
PFA 对焊变径	12
PFA BUTT FUSION REDUCER	
PFA 对焊变径 (厚壁)	12
PFA BUTT FUSION REDUCER (THICK WALL)	
PFA 对焊平承	13
PFA BUTT FUSION FLANGE ADAPTOR	
PFA 穿管接头	14
PFA MALE CONNECTOR BORE THROUGH	

PFA 入珠外牙直通	15
PFA MALE ADAPTOR SLEEVE-INSERT TYPE	
PFA 入珠内牙直通	16
PFA FEMALE ADAPTOR SLEEVE-INSERT TYPE	
PFA 入珠内牙90°弯头	17
PFA FEMALE 90 DEGREE ELBOW SLEEVE-INSERT TYPE	
PFA 入珠内牙三通	18
PFA FEMALE TEE SLEEVE-INSERT TYPE	
PFA 入珠外牙弯头	19
PFA MALE 90 DEGREE ELBOW SLEEVE-INSERT TYPE	
PFA 入珠三通	20
PFA TEE SLEEVE-INSERT TYPE	
PFA 入珠直管弯头	21
PFA 90 DEGREE SPIGOT ELBOW SLEEVE-INSERT TYPE	
PFA 入珠直管弯头 (厚壁)	21
PFA 90 DEGREE SPIGOT ELBOW SLEEVE-INSERT TYPE (THICK WALL)	
PFA 入珠直管直通	22
PFA SPIGOT CONNECTOR SLEEVE-INSERT TYPE	
PFA 入珠直管直通 (厚壁)	22
PFA SPIGOT CONNECTOR SLEEVE-INSERT TYPE (THICK WALL)	
PFA 入珠省空间弯头	23
PFA 90 DEGREE ELBOW SPACE-SAVING SLEEVE-INSERT TYPE	
PFA 入珠直管三通	24
PFA SPIGOT TEE SLEEVE-INSERT TYPE	
PFA 入珠省空间三通	25
PFA TEE SPACE-SAVING SLEEVE-INSERT TYPE	
PFA 入珠省空间直通	26
PFA CONNECTOR SPACE-SAVING SLEEVE-INSERT TYPE	
PFA 入珠双头省空间弯头	27
PFA 90 DEGREE ELBOW DUAL SPACE-SAVING SLEEVE-INSERT TYPE	
PFA 入珠弯头	28
PFA 90 DEGREE ELBOW SLEEVE-INSERT TYPE	
PFA 入珠直通	29
PFA CONNECTOR SLEEVE-INSERT TYPE	
PFA 入珠管堵	30
PFA CAP SLEEVE-INSERT TYPE	
PTFE 堵头	31
PTFE PLUG	
PFA 入珠	32
PFA SLEEVE INSERT	
PFA 入珠面板安装90°弯头	33
PFA PANEL MOUNT 90 DEGREE ELBOW SLEEVE-INSERT TYPE	
PFA 入珠面板安装接头	34
PFA PANEL MOUNT CONNECTOR SLEEVE-INSERT TYPE	
PFA 入珠石英管弯头	35
PFA 90 DEGREE ELBOW SLEEVE-INSERT TYPE FOR QUARTZ	
PFA 入珠石英管直通	36
PFA CONNECTOR SLEEVE-INSERT TYPE FOR QUARTZ	
PFA 喷嘴	37
PFA NOZZLE	



超纯管道 海普瑞尔智造

关于我们 ABOUT US

海普瑞（常州）洁净系统科技有限公司成立于2022年，坐落于江苏省常州市高新技术产业开发区，是一家集PVDF、PVDF-UHP、PFA等材质的管材、管件、阀门的研发和制造于一体的洁净系统专业生产企业。同时也是测量与控制仪表的专业生产企业。

HPREAL (Changzhou) Clean System Technology Co.,Ltd was established in 2022 and is located in the High-Tech Industrial Development Zone in Changzhou City, Jiangsu Province. It is a professional manufacturer of clean system integrating the development and manufacture of pipes, fittings and valves made of PVDF, PVDF-UHP, PFA and other materials. It is also a professional manufacturer of measuring and control instrumentations.

海普瑞尔致力于为客户提供
专业、安全可靠、完善的超纯管路解决方案

公司实力 COMPANY STRENGTH

公司占地面积15000平方米，拥有固定资产1亿元人民币，已通过ISO9001体系认证。公司现有员工100多人，拥有供料系统、管材挤出生产线、注塑机、大型加工中心等机械加工设备共计40多台。万级洁净厂房超过5000平方米，百级洁净厂房400平方米，专用于PVDF、PVDF-UHP、PFA以及仪表等产品的生产和检测。公司年产能为PVDF产品2500吨，PFA产品300吨；其中PVDF阀门每年产出5万多台，PFA阀门每年产出10万多台。

The company covers an area of 15000m², has fixed assets of RMB 100 million, and has earned official accreditation of ISO9001 Quality Management System. The company has more than 100 employees, with a total of more than 40 sets of mechanical processing equipment such as material supply systems, pipe extrusion lines, injection molding machines and large machine centers. HPREAL has built class 10,000 (ISO14644-1 Class7) clean room of more than 5,000m² and class 100 (ISO14644-1 Class5) clean room of more than 400m², which is dedicated to the production and testing of PVDF, PVDF-UHP, PFA and instrumentation products. The annual production capacity of the company is 2500 tons of PVDF products and 300 tons of PFA products, of which more than 50,000 sets of PVDF valves and more than 100,000 sets of PFA valves are produced each year.

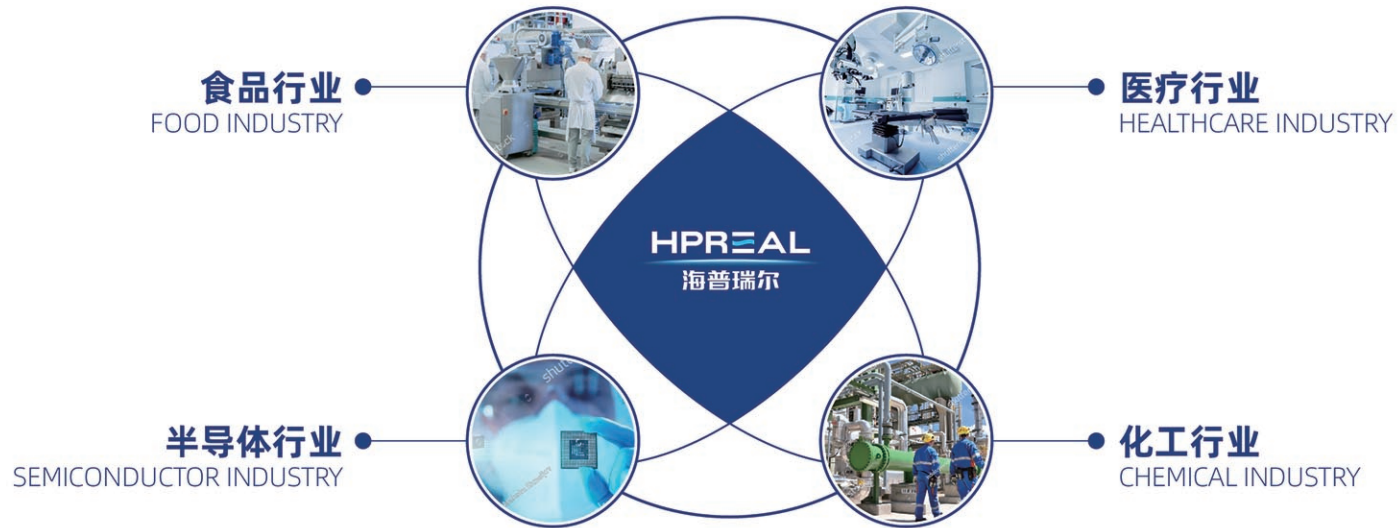
展望未来 FUTURE PROSPECT

海普瑞（常州）洁净系统科技有限公司将以世界级的技术水平与产品质量，为客户提供值得信赖的产品及一流的服务，以实现公司发展的大跨越。

HPREAL (Changzhou) Clean System Technology Co.,Ltd will provide customers with reliable products and first-class services with world-class technical level and product quality so as to achieve a great leap in the company's development.

APPLICATION AREA

应用领域



CERTIFICATIONS

认证证书

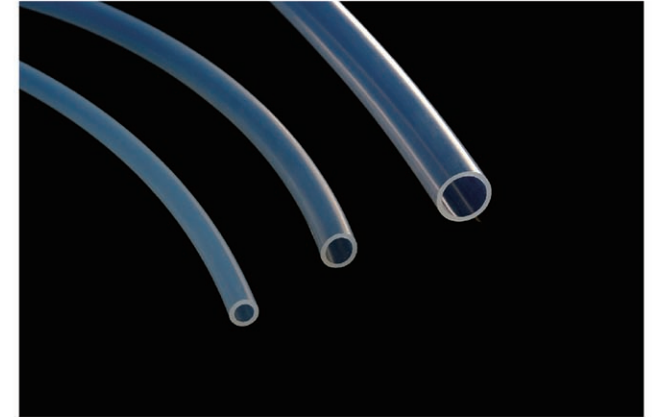


PRODUCT CATEGORY

产品类别

01

管材 PIPE



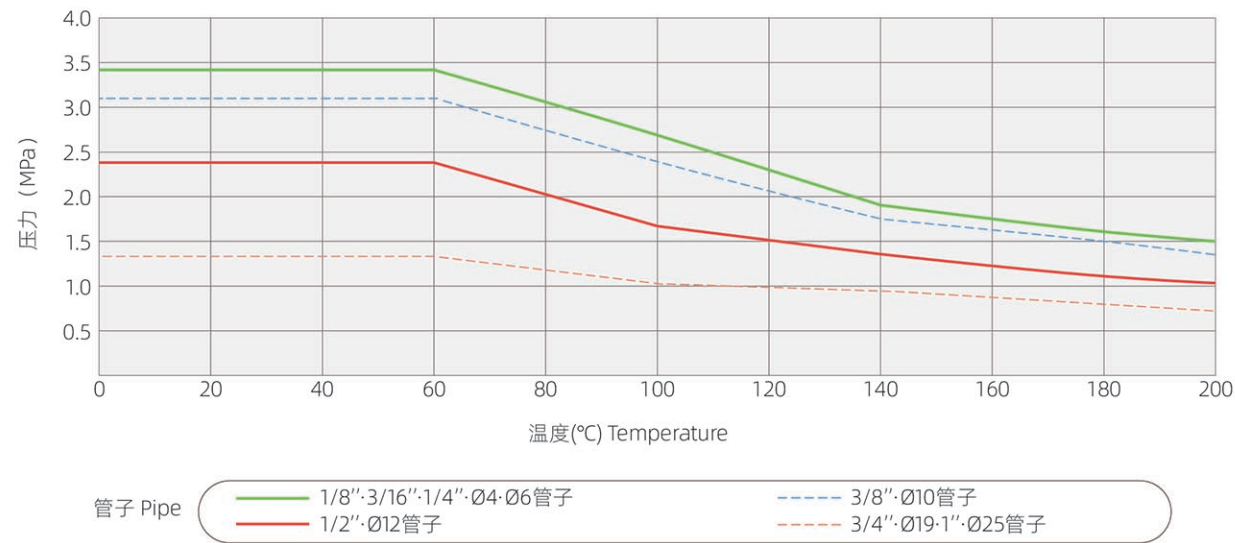
02

管件 PIPE FITTING



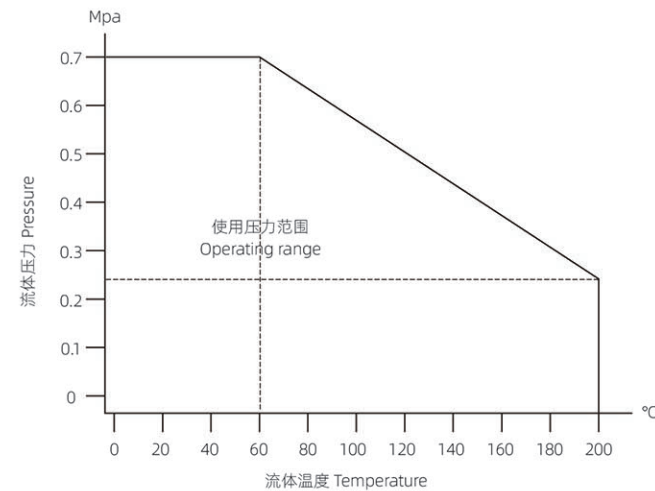
- PFA 管路系统生产环境为万级净化车间，并在百级净化间内清洗，包装，
- 采用电子级PFA材料，符合SEMI F57离子析出要求；
- 最高使用温度：200°C；
- 广泛应用于食品，医疗，半导体行业；
- Our PFA products are manufactured in a clean room of ISO14644-1 class 7 (OR, the US Federal 209E standard 10000), and cleaned and packed in a clean room of ISO14644-1 class 5 (OR, the US Federal 209E standard 100).
- Our PFA raw material is semiconductor grade, which meets the SEMI F57 ion precipitation requirements;
- Maximum operating temperature: 200°C;
- Widely used in food, medical and semiconductor industries

PRESSURE AND HEAT RESISTANCE 耐压及耐热性能



PFA产品规格参数 Product Technical Parameters	
最高使用温度 Max temperature in operation	200 °C
最高使用压力 Max pressure in operation	0.7Mpa
使用流体 Fluid	纯水、化学液体 Pure water, chemical liquids

*使用温度与使用压力的关系，可参照右表
*Please refer to the chart at right for operating temperature and working pressure



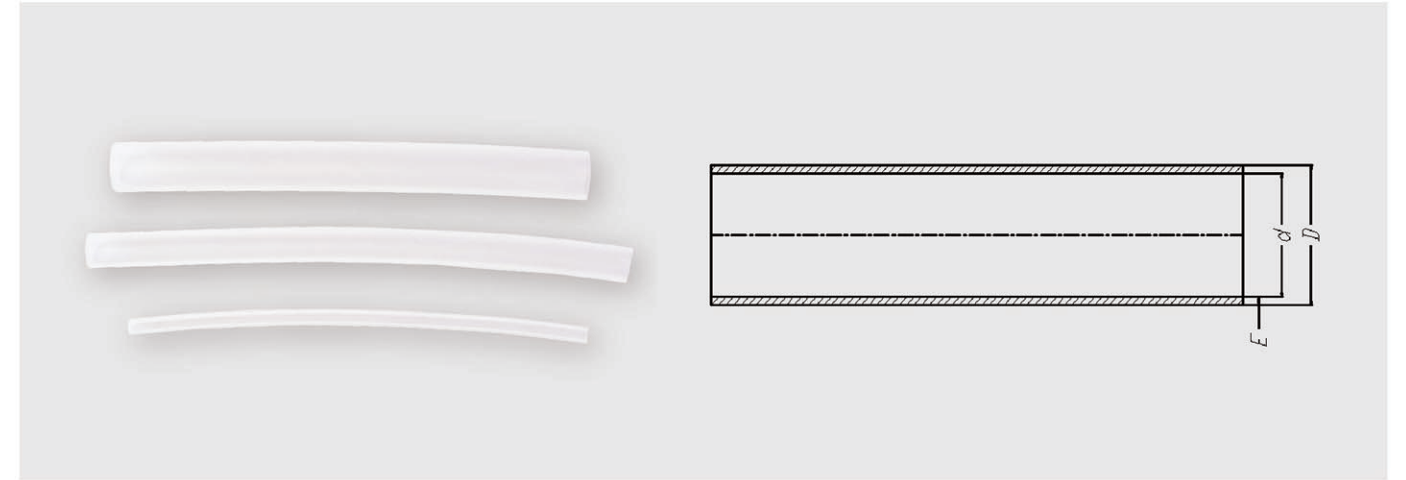
PIPE DIMENSIONS 配管尺寸

Pipe in metric size		单位Unit: mm	
外径x内径 Tube size O.DxI.D	壁厚 Thickness	公差 Tolerance	
		外径 O.D	壁厚 Thickness
6x4	1	±0.1	±0.1
8x6			
10x8			
12x10	1.5	(+0.2/-0.1)	
25x22			

Pipe in inch size		单位Unit: mm	
外径x内径 Tube size O.DxI.D	壁厚 Thickness	公差 Tolerance	
		外径 O.D	壁厚 Thickness
6.35x3.95	1.2	±0.1	±0.1
9.53x6.33			
12.7x9.5	1.6	(+0.2/-0.1)	
19x15.8			
25.4x22.2			

PFA PIPE

PFA 管材



● 产品参数 SPECIFICATIONS

规格 (Size)	公制 Metric		壁厚 Thickness(mm)
	外形尺寸 Dimensions(mm)		
	D	d	
6	6	4	1
8	8	6	1
10	10	8	1
12	12	10	1
25	25	22	1.5

规格 (Size)	英制 Inch		壁厚 Thickness(mm)
	外形尺寸 Dimensions(mm)		
	D	d	
1/4"	6.35	3.95	1.20
3/8"	9.53	6.33	1.60
1/2"	12.70	9.50	1.60
3/4"	19.00	15.80	1.60
1"	25.40	22.20	1.60
1-1/4"	31.8	28	1.9
1-1/2"	38.1	33.7	2.2
1"	33.4	26.64	3.38
1-1/2"	48.26	40.9	3.68
2"	60.32	52.5	3.91

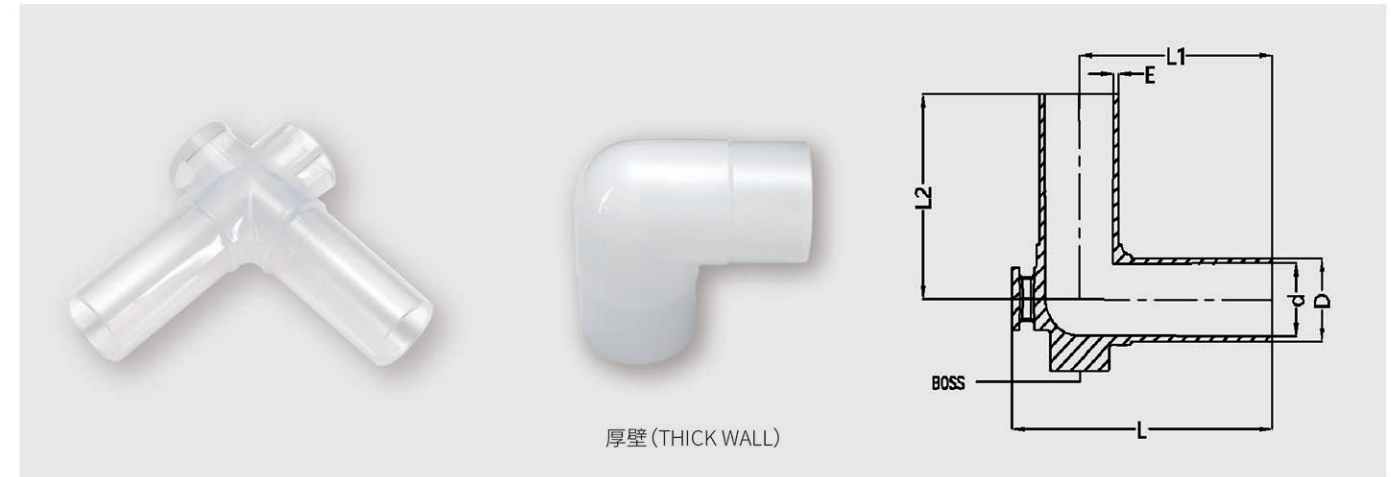
01 | 管材
PFA PIPE



02 | 管件 PIPE FITTING

PFA BUTT FUSION 90 DEGREE ELBOW

PFA 对焊弯头



● 产品参数 SPECIFICATIONS

规格 Size	外形尺寸 Dimensions(mm)						
	D	d	L	L1	L2	E	BOSS
CWL-1/4"X1/4"	6.35	4.1	35.2	26.25	26.25	1.2	Ø6.35
CWL-3/8"X1/4"	9.5/6.35	6.3/4.1	41.25	32.25	27.6	1.6/1.2	Ø6.35/Ø9.53
CWL-3/8"X3/8"	9.5	6.3	38.0	32.3	32.3	1.6	Ø9.53
CWL-1/2"X1/4"	12.7/6.35	9.5/3.95	41.3	32.2	30.3	1.6/1.2	Ø12.7/Ø6.35
CWL-1/2"X1/2"	12.7	9.5	47.6	35.3	35.3	1.6	Ø12.7
CWL-1/2"X3/8"	12.7/9.5	9.5/6.3	47.6	35.3	33.7	1.6	Ø12.7/Ø9.53
CWL-3/4"X3/4"	19	15.8	69	50.5	50.5	1.6	Ø19
CWL-3/4"X1/2"	19/12.7	15.8/9.5	56	40.5	47.9	1.6	Ø19/Ø12.7
CWL-1"X1"	25.4	22.2	84.2	62.5	62.5	1.6	Ø19
CWL-1"X3/4"	25.4/19	22.2/15.8	74.2	52.5	59.3	1.6	Ø19
CWL-1"X1/2"	25.4/12.7	22.2/9.5	60.7	42.0	56.2	1.6	Ø19/Ø12.7
CWL-1-1/4"X1-1/4"	31.8	28	97	75	75	1.9	Ø19
CWL-1-1/2"X1-1/2"	38.10	33.7	118.00	95.20	95.2	2.2	Ø19

PFA BUTT FUSION 90 DEGREE ELBOW (THICK WALL)

PFA 对焊弯头(厚壁)

● 产品参数 SPECIFICATIONS

规格 Size	外形尺寸 Dimensions(mm)						
	D	d	L	L1	L2	E	BOSS
CPL-2"X2"	60.32	52.5	116.15	84.30	84.30	3.91	N/A

PFA BUTT FUSION TEE

PFA 对焊三通



厚壁 (THICK WALL)

● 产品参数 SPECIFICATIONS

规格 Size	外形尺寸 Dimensions(mm)								
	D	d	D1	d1	L	L1	L2	E	BOSS
CWT-1/4"X1/4"X1/4"	6.35	4.1	6.35	4.1	52.5	26.25	26.25	1.2	Ø6.35
CWT-3/8"X3/8"X3/8"	9.53	6.33	9.53	6.33	64.50	32.25	32.25	1.60	Ø9.53
CWT-1/2"X1/4"X1/2"	12.70	9.50	6.35	4.10	64.32	32.16	30.25	1.6/1.2	Ø6.35
CWT-1/2"X3/8"X1/2"	12.70	9.50	9.53	6.33	67.50	33.75	35.25	1.60	Ø9.53
CWT-1/2"X1/2"X1/2"	12.70	9.50	12.70	9.50	70.50	35.25	35.25	1.60	Ø12.7
CWT-3/4"X1/4"X3/4"	19	15.8	6.35	4.1	95.00	47.50	47.50	1.6/1.2	Ø6.35
CWT-3/4"X3/8"X3/4"	19	15.8	9.53	6.33	95.00	47.50	40.00	1.60	Ø9.53
CWT-3/4"X1/2"X3/4"	19	15.8	12.70	9.50	95.00	47.50	40.50	1.60	Ø12.7
CWT-3/4"X3/4"X3/4"	19.00	15.80	19.00	15.80	101.00	50.50	50.50	1.60	Ø19
CWT-3/4"X3/4"X1/2"	12.7	9.5	19.00	15.80	91	45.5	45.5	1.6	Ø19
CWT-1"X1/2"X1"	25.40	22.20	12.70	9.50	112.40	56.20	42.00	1.60	Ø12.7
CWT-1"X3/4"X1"	25.40	22.20	19	15.8	118.60	59.30	52.50	1.60	Ø19
CWT-1"X1"X1"	25.40	22.20	25.40	22.20	125.00	62.50	62.50	1.60	Ø19
CWT-1-1/4"	31.8	28	31.8	28	150	75	75	1.9	Ø19
CWT-1-1/4"X1-1/4"	31.8	28	25.40	22.20	143.6	71.8	65	1.9/1.6	Ø19
CWT-1-1/2"	38.10	33.7	38.10	33.7	185	92.5	92.5	2.2	Ø19

PFA BUTT FUSION TEE (THICK WALL)

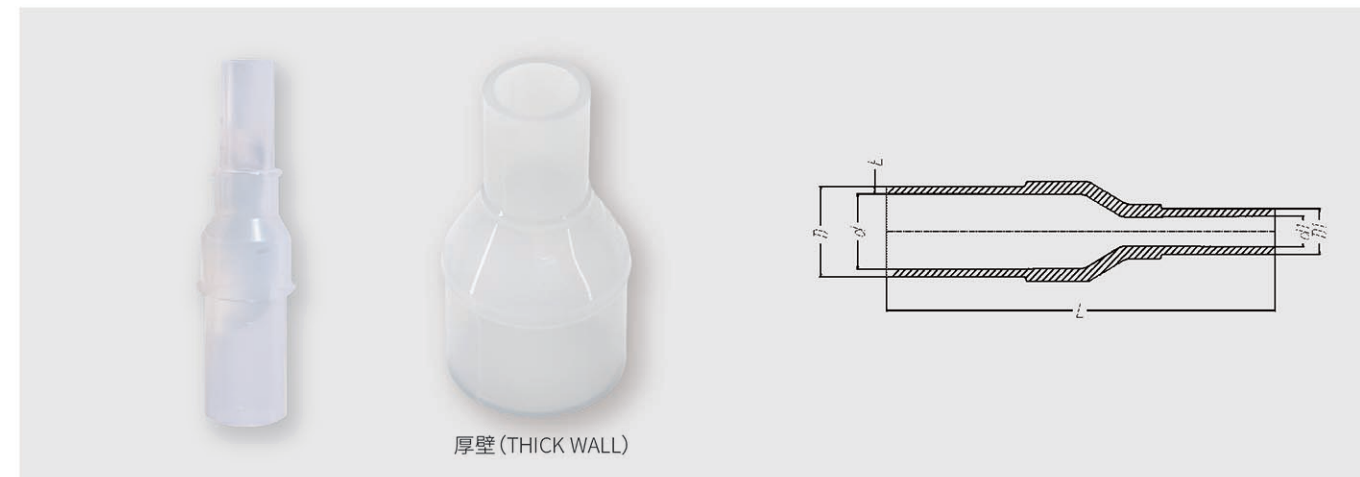
PFA 对焊三通 (厚壁)

● 产品参数 SPECIFICATIONS

规格 Size	外形尺寸 Dimensions(mm)								
	D	d	D1	d1	L	L1	L2	E	BOSS
CPT-1"X1"X1"	33.4	26.64	33.4	26.64	125.6	62.8	62.8	3.38	N/A
CPT-2"X2"X2"	60.32	52.5	60.32	52.5	168.6	84.3	84.3	3.91	N/A
CPT-2"X1"X2"	60.32	52.5	33.4	26.64	168.6	84.3	84.3	3.91/3.38	N/A

PFA BUTT FUSION REDUCER

PFA 对焊变径



厚壁 (THICK WALL)

● 产品参数 SPECIFICATIONS

规格 Size	外形尺寸 Dimensions(mm)					
	D	d	D1	d1	L	E
CWR-3/8"X1/4"	9.5	6.3	6.35	4.1	65.0	1.6/1.2
CWR-1/2"X1/4"	12.7	9.5	6.35	4.1	70.0	1.6/1.2
CWR-1/2"X3/8"	12.7	9.5	9.5	6.3	75.0	1.6
CWR-3/4"X1/4"	19.0	15.8	6.4	4.1	85.5	1.6/1.2
CWR-3/4"X3/8"	19.0	15.8	9.5	6.3	85.5	1.6
CWR-3/4"X1/2"	19.0	15.8	12.7	9.5	85.0	1.6
CWR-1"X3/8"	25.4	22.2	9.5	6.3	92.5	1.6
CWR-1"X1/2"	25.4	22.2	12.7	9.5	92.5	1.6
CWR-1"X3/4"	25.4	22.2	19.0	15.8	98.0	1.6
CWR-1-1/4"X1"	31.8	28	25.4	22.2	20	1.9/1.6
CWR-1-1/2"X1"	38.10	33.7	25.4	22.2	20	2.2/1.6
CWR-1-1/2"X1-1/4"	38.10	33.7	31.8	28	20	2.2/1.9

PFA BUTT FUSION REDUCER (THICK WALL)

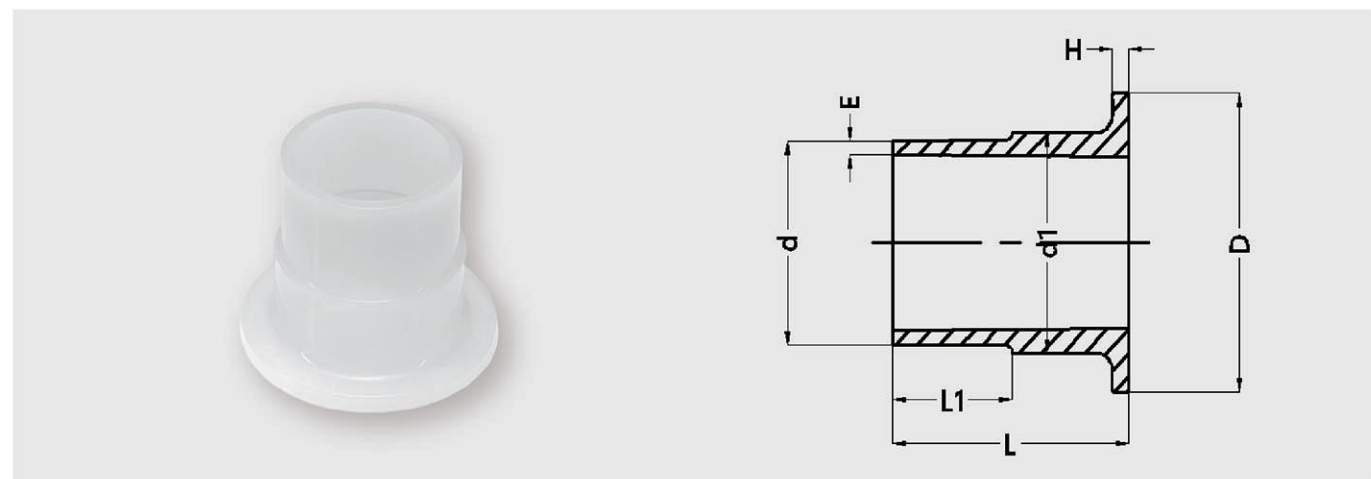
PFA 对焊变径 (厚壁)

● 产品参数 SPECIFICATIONS

规格 Size	外形尺寸 Dimensions(mm)					
	D	d	D1	d1	L	E
CPR-2"X1"	60.32	52.5	33.4	26.64	111.3	3.91/3.38

PFA BUTT FUSION FLANGE ADAPTOR

PFA 对焊平承

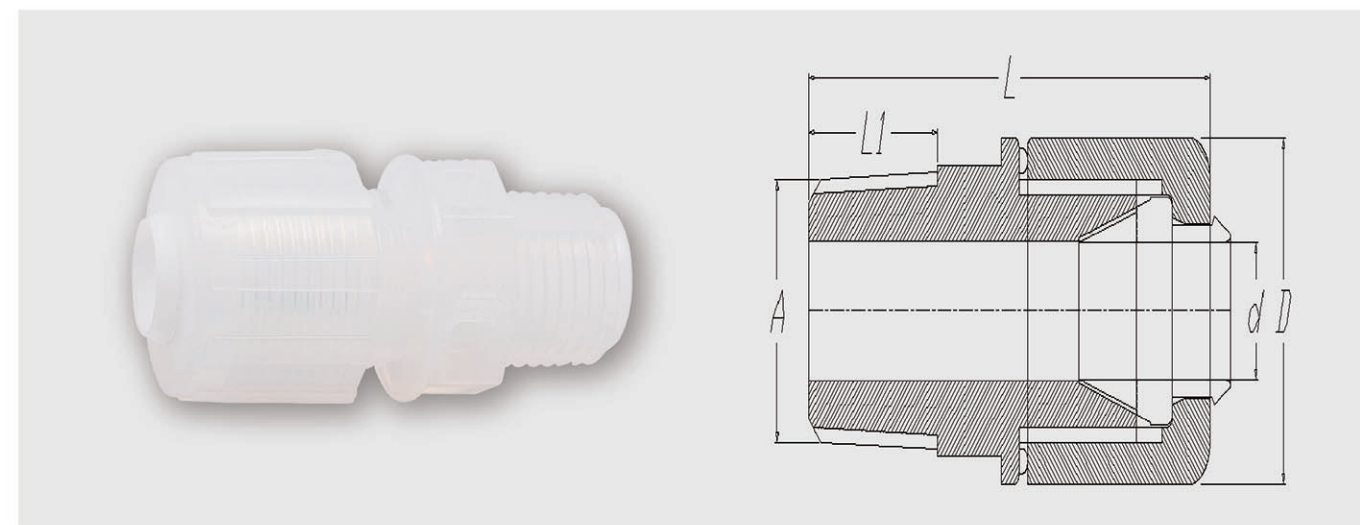


● 产品参数 SPECIFICATIONS

规格 Size	外形尺寸 Dimensions(mm)						
	D	d	d1	L	L1	E	H
CPF-2"	88.40	60.32	65.00	75.15	38.10	3.91	5.30

PFA MALE CONNECTOR BORE THROUGH

PFA 穿管接头

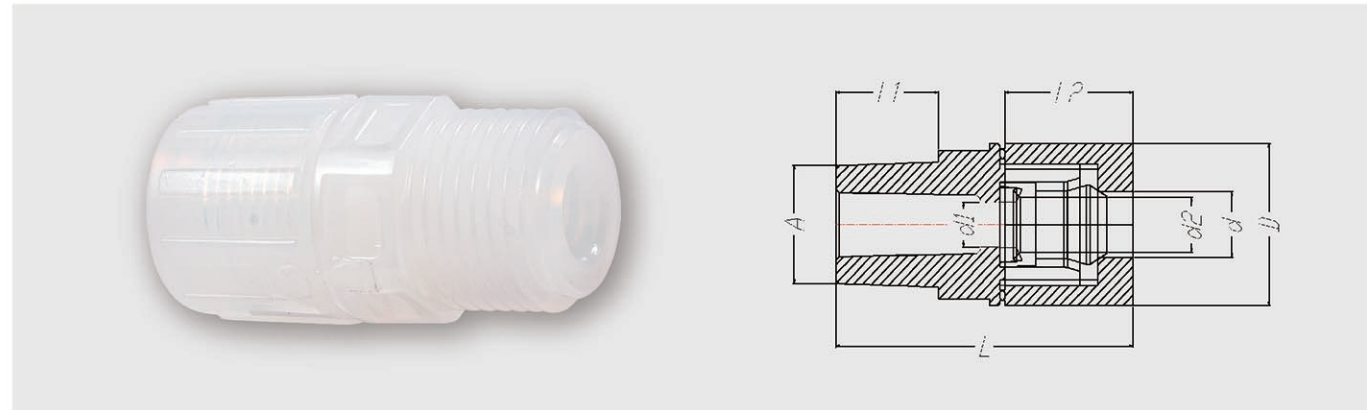


● 产品参数 SPECIFICATIONS

规格 Size	外形尺寸 Dimensions(mm)				
	D	d	L	L1	A
CLQHB-4-N	12.0	4.1	28.0	9.0	NPT1/8"
CLQHB-1/8"-N	12.0	3.2	28.0	9.0	NPT1/8"
CLQHB-6-N	17.0	6.1	37.4	12.0	NPT1/4"
CLQHB-8-N	24.5	8.1	49.8	12.5	NPT3/8"
CLQHB-1/4"-N	17.0	6.4	37.4	12.0	NPT1/4"
CLQHB-3/8"-N	24.5	9.5	49.8	12.5	NPT3/8"
CLQHB-3/8"X1/2"-N	24.5	12.7	50.8	16.0	NPT1/2"
CLQHB-1/2"-N	30.4	12.7	50.8	16.0	NPT1/2"
CLQHB-3/4"-N	41.2	19.0	63.8	16.0	NPT3/4"
CLQHB-1"-N	49.2	25.4	70.7	18.0	NPT1"
CLQHB-4-R	12.0	4.1	28.0	9.0	R1/8"
CLQHB-1/8"-R	12.0	3.2	28.0	9.0	R1/8"
CLQHB-6-R	17.0	6.1	37.4	12.0	R1/4"
CLQHB-8-R	24.5	8.1	49.8	12.5	R3/8"
CLQHB-1/4"-R	17.0	6.4	37.4	12.0	R1/4"
CLQHB-3/8"-R	24.5	9.5	49.8	12.5	R3/8"
CLQHB-3/8"X1/2"-R	24.5	12.7	50.8	16.0	R1/2"
CLQHB-1/2"-R	30.4	12.7	50.8	16.0	R1/2"
CLQHB-3/4"-R	41.2	19.0	63.8	16.0	R3/4"
CLQHB-1"-R	49.2	25.4	70.7	18.0	R1"

PFA MALE ADAPTOR SLEEVE-INSERT TYPE

PFA 入珠外牙直通

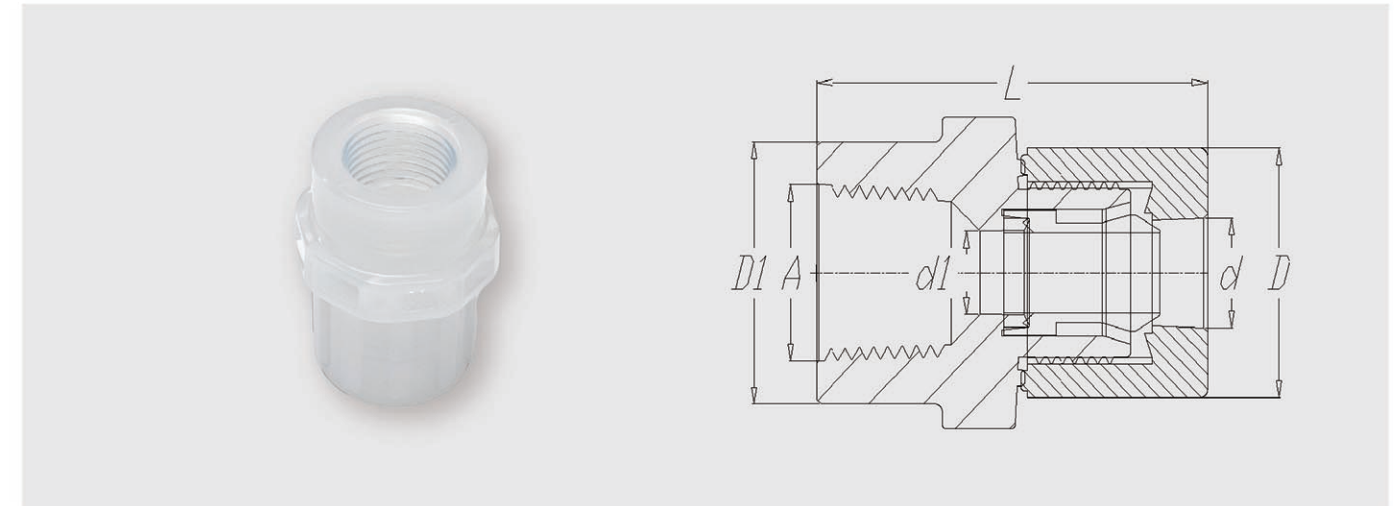


产品参数 SPECIFICATIONS

规格 Size	外形尺寸 Dimensions(mm)							
	D	d	d1	d2	L	L1	L2	A
CLQ1H-1/8"-MN	12	3.7	2	2	26	9	10	NPT1/8"
CLQ1H-1/8"x1/4"-MN	12	3.7	2	2	28.8	12	10	NPT1/4"
CLQ1H-1/4"x3/8"-MN	17	6.5	4.2	3.95	39.9	12.5	17	NPT3/8"
CLQ1H-1/4"x1/2"-MN	17	6.5	4.2	3.95	42.8	16	17	NPT1/2"
CLQ1H-1/4"x1/8"-MN	17	6.5	4.2	3.95	34.4	9	17	NPT1/8"
CLQ1H-1/4"-MN	17	6.5	3.9	3.2	37.4	12	17	NPT1/4"
CLQ1H-3/8"x1/4"-MN	24.5	9.7	6.6	8.0	42.7	12	20.0	NPT1/4"
CLQ1H-3/8"x1/2"-MN	24.5	9.7	6.6	8.0	46.4	16.0	20.0	NPT1/2"
CLQ1H-3/8"-MN	24.5	9.7	6.6	8.0	42.4	12.5	20.0	NPT3/8"
CLQ1H-1/2"x3/8"-MN	30.4	12.7	10.1	9.6	45.0	12.5	23.0	NPT3/8"
CLQ1H-1/2"x3/4"-MN	30.4	12.7	10.1	9.6	49.8	16.0	23.0	NPT3/4"
CLQ1H-1/2"x1/4"-MN	30.4	12.7	10.1	9.6	46.8	12.0	23.0	NPT1/4"
CLQ1H-1/2"-MN	30.4	12.7	8.9	9.6	50.8	16.0	23.0	NPT1/2"
CLQ1H-3/4"x1/2"-MN	41.2	19.0	6.6	15.8	63.8	16.0	34.6	NPT1/2"
CLQ1H-3/4"-MN	41.2	19.0	15.3	15.8	63.8	16.0	34.6	NPT3/4"
CLQ1H-3/4"x1"-MN	41.2	19.0	16.2	15.8	65.8	18.0	34.6	NPT1"
CLQ1H-1"x3/4"-MN	49.2	25.7	15.3	22.2	68.7	16.0	39.3	NPT3/4"
CLQ1H-1"-MN	49.2	25.7	20.6	22.2	70.7	18.0	39.3	NPT1"
CLQ1H-1/8"-MR	12	3.7	2	2	26	9	10	R1/8"
CLQ1H-1/8"x1/4"-MR	12	3.7	2	2	28.8	12	10	R1/4"
CLQ1H-1/4"x3/8"-MR	17	6.5	4.2	3.95	39.9	12.5	17	R3/8"
CLQ1H-1/4"x1/2"-MR	17	6.5	4.2	3.95	42.8	16	17	R1/2"
CLQ1H-1/4"x1/8"-MR	17	6.5	4.2	3.95	34.4	9	17	R1/8"
CLQ1H-1/4"-MR	17	6.5	3.9	3.2	37.4	12	17	R1/4"
CLQ1H-3/8"x1/4"-MR	24.5	9.7	6.6	8.0	42.7	12	20.0	R1/4"
CLQ1H-3/8"x1/2"-MR	24.5	9.7	6.6	8.0	46.4	16.0	20.0	R1/2"
CLQ1H-3/8"-MR	24.5	9.7	6.6	8.0	42.4	12.5	20.0	R3/8"
CLQ1H-1/2"x3/8"-MR	30.4	12.7	10.1	9.6	45.0	12.5	23.0	R3/8"
CLQ1H-1/2"x3/4"-MR	30.4	12.7	10.1	9.6	49.8	16.0	23.0	R3/4"
CLQ1H-1/2"x1/4"-MR	30.4	12.7	10.1	9.6	46.8	12.0	23.0	R1/4"
CLQ1H-1/2"-MR	30.4	12.7	8.9	9.6	50.8	16.0	23.0	R1/2"
CLQ1H-3/4"x1/2"-MR	41.2	19.0	6.6	15.8	63.8	16.0	34.6	R1/2"
CLQ1H-3/4"-MR	41.2	19.0	15.3	15.8	63.8	16.0	34.6	R3/4"
CLQ1H-3/4"x1"-MR	41.2	19.0	16.2	15.8	65.8	18.0	34.6	R1"
CLQ1H-1"x3/4"-MR	49.2	25.7	15.3	22.2	68.7	16.0	39.3	R3/4"
CLQ1H-1"-MR	49.2	25.7	20.6	22.2	70.7	18.0	39.3	R1"

PFA FEMALE ADAPTOR SLEEVE-INSERT TYPE

PFA 入珠内牙直通

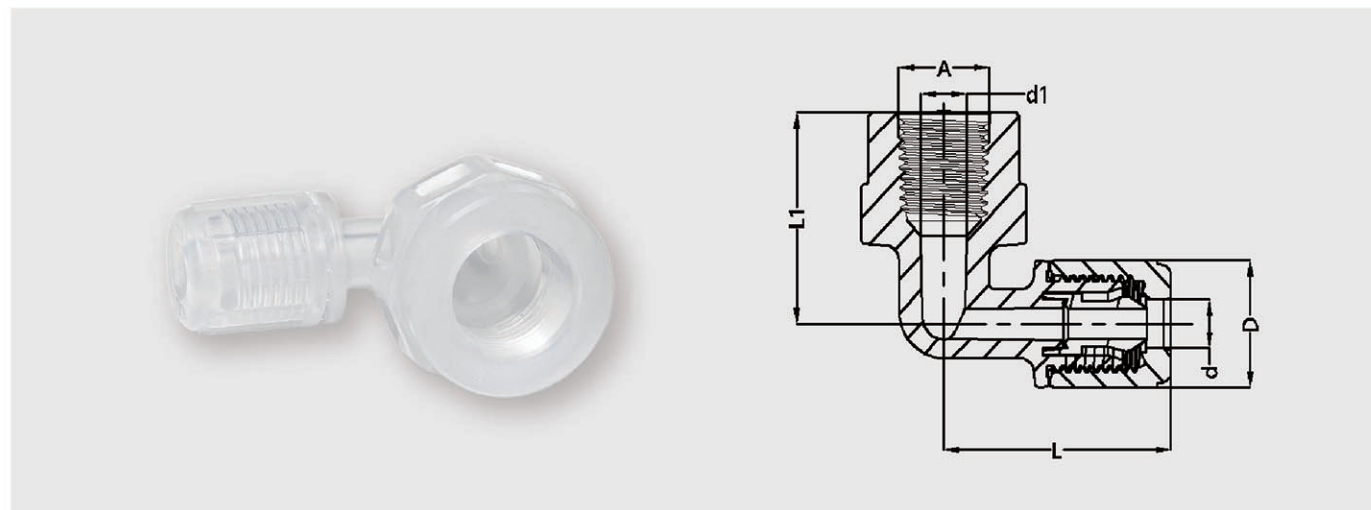


产品参数 SPECIFICATIONS

规格 Size	外形尺寸 Dimensions(mm)					
	D	d	D1	d1	L	E
CLQ1HF-1/4"-MN	17	6.5	3.9	37.3	21.5	NPT1/4"
CLQ1HF-3/8"x1/2"-MN	24.5	9.7	6.6	47.2	31.5	NPT1/2"
CLQ1HF-3/8"-MN	24.5	9.7	6.6	47.2	26	NPT3/8"
CLQ1HF-1/2"x3/8"-MN	30.4	12.7	10.1	46.0	26	NPT3/8"
CLQ1HF-1/2"x3/4"-MN	30.4	12.7	10.1	52.0	38	NPT3/4"
CLQ1HF-1/2"-MN	30.4	12.7	8.9	50.0	31.5	NPT1/2"
CLQ1HF-3/4"x1/2"-MN	41.2	19.0	6.6	59.8	31.5	NPT1/2"
CLQ1HF-3/4"-MN	41.2	19.0	15.3	59.8	38	NPT3/4"
CLQ1HF-3/4"x1"-MN	41.2	19.0	16.2	67.8	45.5	NPT1"
CLQ1HF-1"x3/4"-MN	49.2	25.7	15.3	59.6	38	NPT3/4"
CLQ1HF-1"-MN	49.2	25.7	20.6	67.9	45.5	NPT1"
CLQ1HF-1/4"-MR	17	6.5	3.9	37.3	21.5	R1/4"
CLQ1HF-3/8"x1/2"-MR	24.5	9.7	6.6	47.2	31.5	R1/2"
CLQ1HF-3/8"-MR	24.5	9.7	6.6	47.2	26	R3/8"
CLQ1HF-1/2"x3/8"-MR	30.4	12.7	10.1	46.0	26	R3/8"
CLQ1HF-1/2"x3/4"-MR	30.4	12.7	10.1	52.0	38	R3/4"
CLQ1HF-1/2"-MR	30.4	12.7	8.9	50.0	31.5	R1/2"
CLQ1HF-3/4"x1/2"-MR	41.2	19.0	6.6	59.8	31.5	R1/2"
CLQ1HF-3/4"-MR	41.2	19.0	15.3	59.8	38	R3/4"
CLQ1HF-3/4"x1"-MR	41.2	19.0	16.2	67.8	45.5	R1"
CLQ1HF-1"x3/4"-MR	49.2	25.7	15.3	59.6	38	R3/4"
CLQ1HF-1"-MR	49.2	25.7	20.6	67.9	45.5	R1"

PFA FEMALE 90 DEGREE ELBOW SLEEVE-INSERT TYPE

PFA 入珠内牙90°弯头

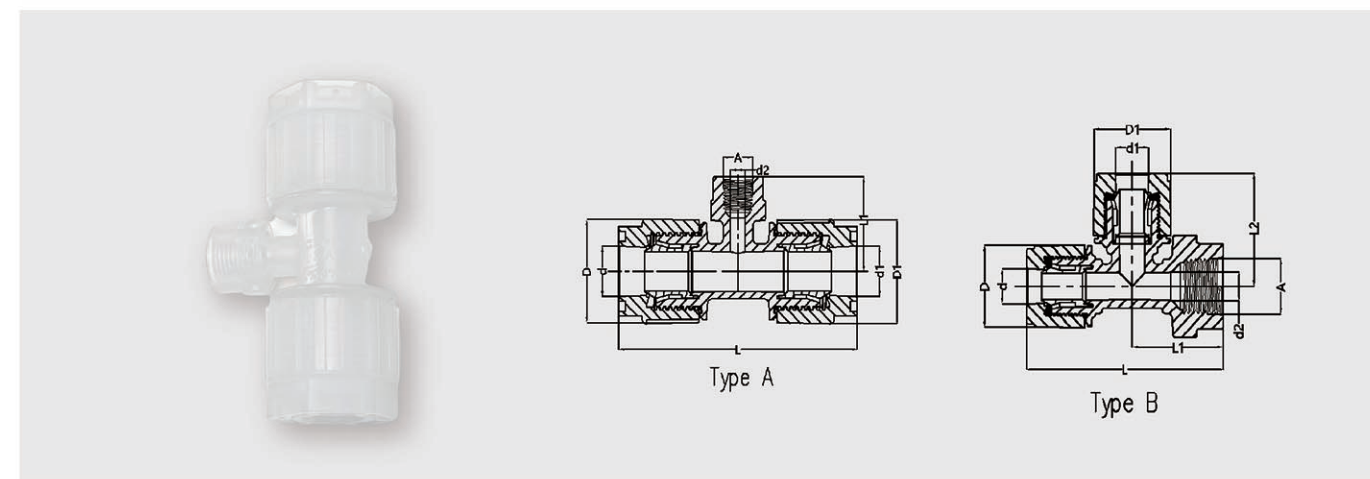


● 产品参数 SPECIFICATIONS

规格 Size	外形尺寸 Dimensions(mm)					
	D	d	d1	L	L1	A
CLQ1LF-1/4"X1/4"-MN	17	6.5	6.5	32.4	28	NPT1/4"
CLQ1LF-1/4"X3/8"-MN	17	6.5	10.07	35.4	26.35	NPT3/8"
CLQ1LF-1/4"X1/4"-MR	17	6.5	6.5	32.4	28	R1/4"
CLQ1LF-1/4"X3/8"-MR	17	6.5	10.07	35.4	26.35	R3/8"

PFA FEMALE TEE SLEEVE-INSERT TYPE

PFA 入珠内牙三通

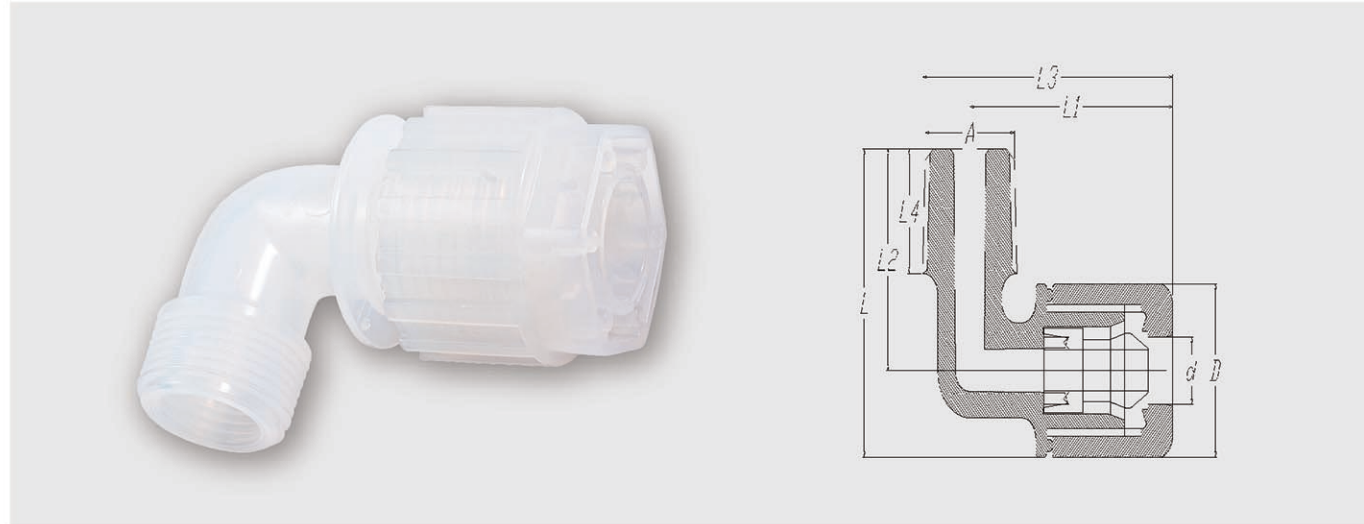


● 产品参数 SPECIFICATIONS

规格 Size	Type	外形尺寸 Dimensions(mm)								
		D	d	D1	d1	d2	L	L1	L2	A
CLQFBT-1/4"X1/4"XN1/4"	B	17	6.5	17	6.5	3.9	55	26.3	32.4	NPT1/4"
CLQFBT-1/2"X1/2"XN1/2"	B	30.4	12.7	30.4	12.7	10	77.8	41.8	41.8	NPT1/2"
CLQFBT-3/4"XN1/4"X3/4"	A	41.2	19.0	41.2	19.0	6.5	102.6	44.8	N/A	NPT1/4"
CLQFBT-1/4"X1/4"XR1/4"	B	17	6.5	17	6.5	3.9	55	26.3	32.4	R1/4"
CLQFBT-1/2"X1/2"XR1/2"	B	30.4	12.7	30.4	12.7	10	77.8	41.8	41.8	R1/2"
CLQFBT-3/4"XR1/4"X3/4"	A	41.2	19.0	41.2	19.0	6.5	89.6	44.8	N/A	R1/4"

PFA MALE 90 DEGREE ELBOW SLEEVE-INSERT TYPE

PFA 入珠外牙弯头

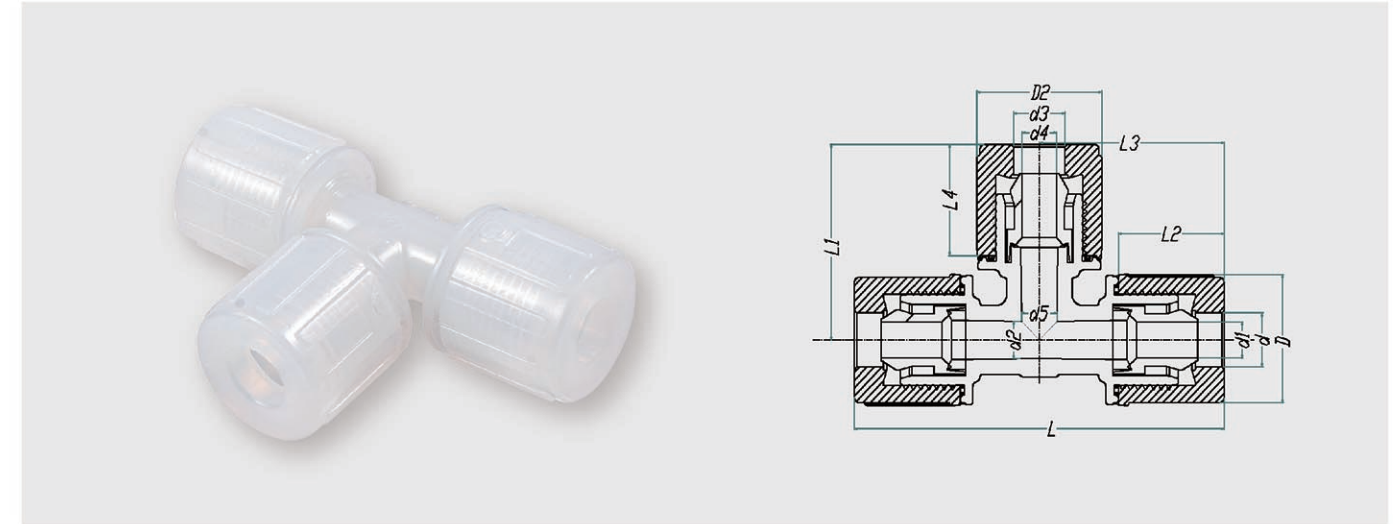


产品参数 SPECIFICATIONS

规格 Size	外形尺寸 Dimensions(mm)							
	D	d	L	L1	L2	L3	L4	A
CLQ1L-1/8"-MN	12	3.7	21.9	18.9	15.1	24.1	9	NPT1/8"
CLQ1L-1/4"-MN	17.0	6.5	29.7	28.7	21.3	35.4	12.0	NPT1/2"
CLQ1L-1/4"x3/8"-MN	17.0	6.5	30.6	29.2	22.2	37.6	12.5	NPT3/8"
CLQ1L-1/4"x1/8"-MN	17.0	6.5	27.1	25.7	18.7	30.7	9.0	NPT1/8"
CLQ1L-3/8"-MN	24.5	9.7	37.5	31.0	25.5	41.0	12.5	NPT3/8"
CLQ1L-3/8"x1/4"-MN	24.5	9.7	37.0	25.3	25.0	32.0	12.0	NPT1/4"
CLQ1L-3/8"x1/2"-MN	24.5	9.7	41.0	29.4	29.0	40.0	16.0	NPT1/2"
CLQ1L-1/2"-MN	30.4	12.7	47.0	41.8	32.0	52.5	16.0	NPT1/2"
CLQ1L-1/2"x3/4"-MN	30.4	12.7	47.0	44.5	32.0	57.8	16.0	NPT3/4"
CLQ1L-1/2"x3/8"-MN	30.4	12.7	43.5	39.5	28.4	47.9	12.5	NPT3/8"
CLQ1L-1/2"x1/4"-MN	30.4	12.7	43.0	37.6	28.0	44.4	12.0	NPT1/4"
CLQ1L-3/4"x1/2"-MN	41.2	19.0	58.3	54.8	38.0	64.5	16.0	NPT1/2"
CLQ1L-3/4"-MN	41.2	19.0	58.3	58.8	38.0	72.0	16.0	NPT3/4"
CLQ1L-1"-MN	49.2	25.7	68.9	68.9	44.2	85.0	18.0	NPT1"
CLQ1L-1/8"-MR	12	3.7	21.9	18.9	15.1	24.1	9	R1/8"
CLQ1L-1/4"-MR	17.0	6.4	29.7	28.7	21.3	35.4	12.0	R1/4"
CLQ1L-1/4"x3/8"-MR	17.0	6.5	30.6	29.2	22.2	37.6	12.5	R3/8"
CLQ1L-1/4"x1/8"-MR	17.0	6.5	27.1	25.7	18.7	30.7	9.0	R1/8"
CLQ1L-3/8"-MR	24.5	9.7	37.5	31.0	25.5	41.0	12.5	R3/8"
CLQ1L-3/8"x1/4"-MR	24.5	9.7	37.0	25.3	25.0	32.0	12.0	R1/4"
CLQ1L-3/8"x1/2"-MR	24.5	9.7	41.0	29.4	29.0	40.0	16.0	R1/2"
CLQ1L-1/2"-MR	30.4	12.7	47.0	41.8	32.0	52.5	16.0	R1/2"
CLQ1L-1/2"x3/4"-MR	30.4	12.7	47.0	44.5	32.0	57.8	16.0	R3/4"
CLQ1L-1/2"x3/8"-MR	30.4	12.7	43.5	39.5	28.4	47.9	12.5	R3/8"
CLQ1L-1/2"x1/4"-MR	30.4	12.7	43.0	37.6	28.0	44.4	12.0	R1/4"
CLQ1L-3/4"x1/2"-MR	41.2	19.0	58.3	54.8	38.0	64.5	16.0	R1/2"
CLQ1L-3/4"-MR	41.2	19.0	58.3	58.8	38.0	72.0	16.0	R3/4"
CLQ1L-1"-MR	49.2	25.7	68.9	68.9	44.2	85.0	18.0	R1"

PFA TEE SLEEVE-INSERT TYPE

PFA 入珠三通



产品参数 SPECIFICATIONS

规格 Size	外形尺寸 Dimensions(mm)													
	D	d	d1	d2	D2	d3	d4	d5	L	L1	L2	L3	L4	
CLQ1T-1/8"x1/8"x1/8"	12	3.7	2.1	2.0	12	3.7	2.1	2.0	37.8	18.9	10.8	18.9	10.8	
CLQ1T-1/4"x1/4"x1/4"	17	6.5	3.9	3.2	17	6.5	3.9	3.2	57.4	28.7	17	28.70	17.0	
CLQ1T-1/4"x1/2"x1/4"	17	6.5	3.9	4	30.4	12.7	9.6	9.9	70.8	35.1	17	35.40	23.0	
CLQ1T-1/4"x3/8"x1/4"	17	6.5	3.9	4	24.5	9.7	6.5	6.4	64.8	32	8.7	32.40	20.0	
CLQ1T-1/4"x1/4"x3/8"	24.5	9.7	6.5	4	17	6.5	3.9	4	60.8	32.4	20	32.00	17.0	
CLQ1T-3/8"x1/4"x3/8"	24.5	9.7	6.5	6.7	17	6.5	3.9	3.2	63.2	32.4	20	31.60	17.0	
CLQ1T-3/8"x3/8"x3/8"	24.5	9.7	6.5	6.7	24.5	9.7	6.5	6.3	69.8	35.1	20.0	34.89	20.0	
CLQ1T-3/8"x1/2"x3/8"	24.5	9.7	6.5	6.7	30.4	12.7	9.6	9.8	77.4	38.8	20.0	38.70	23.0	
CLQ1T-3/8"x3/8"x1/2"	24.5	9.7	6.5	6.7	24.5	9.7	6.5	6.3	74.5	39.2	23.0	38.80	20.0	
CLQ1T-1/2"x1/4"x1/2"	30.4	12.7	9.6	9.8	17	6.5	3.9	3.2	71.0	36.0	23.0	35.50	17.0	
CLQ1T-1/2"x3/8"x1/2"	30.4	12.7	9.6	9.8	24.5	9.7	6.5	6.3	77.2	38.8	23.0	38.62	20.0	
CLQ1T-1/2"x1/2"x3/8"	30.4	12.7	9.6	9.8	30.4	12.7	9.6	9.8	80.5	41.8	20.0	38.70	23.0	
CLQ1T-1/2"x1/2"x1/2"	30.4	12.7	9.6	9.8	30.4	12.7	9.6	9.8	83.2	41.4	23.0	41.60	23.0	
CLQ1T-1/2"x3/4"x1/2"	30.4	12.7	9.6	9.8	41.2	19.0	15.8	16.0	93.6	53.8	23.0	46.80	34.6	
CLQ1T-3/4"x1/4"x3/4"	41.2	19.0	15.8	16.0	24.5	9.7	6.5	6.3	95.0	40.5	34.6	47.50	20.0	
CLQ1T-3/4"x3/8"x3/4"	41.2	19.0	15.8	16.0	24.5	9.7	6.5	6.3	98.0	43.4	34.6	49.00	20.0	
CLQ1T-3/4"x1/2"x3/4"	41.2	19.0	15.8	16.0	30.4	12.7	9.6	9.8	103.0	46.4	34.6	51.50	23.0	
CLQ1T-3/4"x3/4"x3/8"	24.5	9.7	6.5	16.0	41.2	19.0	15.8	16.0	99.0	52.3	20.0	46.70	34.6	
CLQ1T-3/4"x3/4"x3/4"	41.2	19.0	15.8	16.0	41.2	19.0	15.8	16.0	113.0	52.3	34.6	56.50	34.6	
CLQ1T-3/4"x3/4"x1"	17.0	6.5	3.9	16.0	41.2	19.0	15.8	16.0	103.2	52.3	17.7	44.40	34.6	
CLQ1T-3/4"x3/4"x1/2"	30.4	12.7	9.6	16.0	41.2	19.0	15.8	16.0	108.6	52.3	23.0	49.80	34.6	
CLQ1T-1"x1/4"x1"	49.2	25.7	22.2	22.3	17.0	6.5	3.9	4.0	97.7	45.6	39.3	48.90	17.0	
CLQ1T-1"x3/8"x1"	49.2	25.7	22.2	22.3	24.5	9.7	6.5	6.3	97.7	49.4	39.3	48.90	20.0	
CLQ1T-1"x1/2"x1"	49.2	25.7	22.2	22.3	30.4	12.7	9.6	9.8	113.0	51.6	39.3	56.50	23.0	
CLQ1T-1"x3/4"x1"	49.2	25.7	22.2	22.3	41.2	19.0	15.8	16.0	122.0	57.5	39.3	61.00	34.6	
CLQ1T-1"x1"x3/4"	41.2	19.0	15.8	22.3	49.2	25.7	22.2	22.3	133.0	69.0	34.6	64.00	39.3	
CLQ1T-1"x1"x1"	49.2	25.7	22.2	22.3	49.2	25.7	22.2	22.3	133.0	61.6	39.3	66.50	39.3	

PFA 90 DEGREE SPIGOT ELBOW SLEEVE-INSERT TYPE

PFA 入珠直管弯头



厚壁 (THICK WALL)

● 产品参数 SPECIFICATIONS

规格 Size	外形尺寸 Dimensions(mm)								
	D	d	L	d1	d2	L1	L2	D1	E
CLQ1ET-1/4"XT1/2"	17	6.5	32	3.9	9.5	36	25	12.7	1.6
CLQ1ET-1/4"XT1/4"	17	6.5	29	3.9	4.1	26	17	6.35	1.2
CLQ1ET-1/4"XT3/8"	17	6.5	32.4	3.9	6.3	32	21	9.5	1.6
CLQ1ET-3/8"XT1/4"	24.5	9.7	32	6.5	4.1	29.6	17	6.35	1.2
CLQ1ET-3/8"XT3/8"	24.5	9.7	36	6.5	6.3	36	21	9.5	1.6
CLQ1ET-3/8"XT1/2"	24.5	9.7	38.7	6.5	9.5	39.77	25	12.7	1.6
CLQ1ET-3/8"XT3/4"	24.5	9.7	43.7	6.5	15.8	51.3	36	19.0	1.6
CLQ1ET-1/2"XT1/2"	30.4	12.7	42	9.6	9.5	43	25	12.7	1.6
CLQ1ET-1/2"XT3/8"	30.4	12.7	39.8	9.6	6.3	38.6	21	9.5	1.6
CLQ1ET-1/2"XT3/4"	30.4	12.7	46.8	9.6	15.8	54.3	36	19.0	1.6
CLQ1ET-1/2"XT1"	30.4	12.7	52	9.6	22.2	64.8	46	25.4	1.6
CLQ1ET-3/4"XT1"	41.2	19.0	60	15.8	22.2	68.8	46	25.4	1.6
CLQ1ET-3/4"XT3/4"	41.2	19.0	56	15.8	15.8	58.8	36	19	1.6
CLQ1ET-1"XT3/4"	49.2	25.7	63.66	22.2	15.8	64	36	19	1.6
CLQ1ET-1"XT1"	49.2	25.7	66.5	22.2	22.2	74.5	46	25.4	1.6

PFA 90 DEGREE SPIGOT ELBOW SLEEVE-INSERT TYPE (THICK WALL)

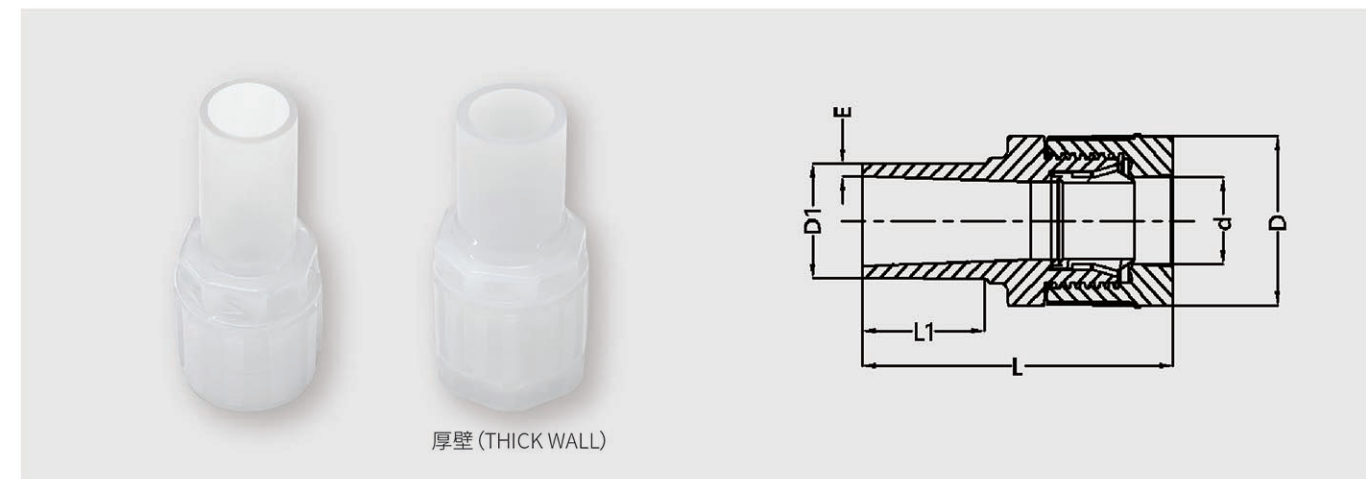
PFA 入珠直管弯头 (厚壁)

● 产品参数 SPECIFICATIONS

规格 Size	外形尺寸 Dimensions(mm)								
	D	d	L	d1	d2	L1	L2	D1	E
CPLF-1"XT1"	49.2	25.7	65.1	22.2	26.1	72.8	38	33.4	3.65

PFA SPIGOT CONNECTOR SLEEVE-INSERT TYPE

PFA 入珠直管直通



厚壁 (THICK WALL)

● 产品参数 SPECIFICATIONS

规格 Size	外形尺寸 Dimensions(mm)					
	D	d	D1	L	L1	E
CLQ1UT-1/4"XT1/2"	17	6.5	12.7	50	24	1.2
CLQ1UT-1/4"XT3/8"	17	6.5	9.5	50	23.5	1.6
CLQ1UT-3/8"XT3/4"	24.5	9.7	19	65.8	34	1.6
CLQ1UT-3/8"XT1/2"	24.5	9.7	12.7	46.7	24	1.6
CLQ1UT-1/2"XT1"	30.4	12.7	25.4	80	44.5	1.6
CLQ1UT-1/2"XT3/4"	30.4	12.7	19	70	34	1.6
CLQ1UT-3/4"XT1"	41.2	19	25.4	93	44.5	1.6
CLQ1UT-3/4"XT1/2"	41.2	19	12.7	72.4	24	1.6
CLQ1UT-3/4"XT3/8"	41.2	19	9.5	72.5	23.5	1.6
CLQ1UT-1"XT3/4"	49.2	25.7	19	87.8	34	1.6

PFA SPIGOT CONNECTOR SLEEVE-INSERT TYPE (THICK WALL)

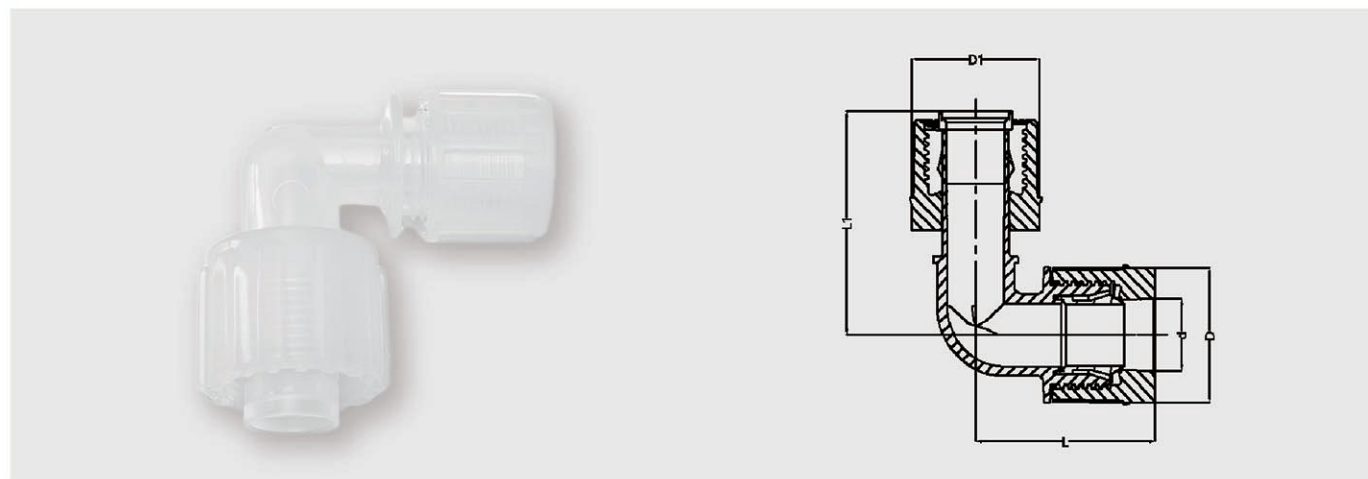
PFA 入珠直管直通 (厚壁)

● 产品参数 SPECIFICATIONS

规格 Size	外形尺寸 Dimensions(mm)					
	D	d	D1	L	L1	E
CPRF1"XT1"	49.2	25.7	33.4	97	38.0	3.65
CPRF1/4"XT1"	17	6.5	33.4	74.9	37.5	3.65

PFA 90 DEGREE ELBOW SPACE-SAVING SLEEVE-INSERT TYPE

PFA 入珠省空间弯头

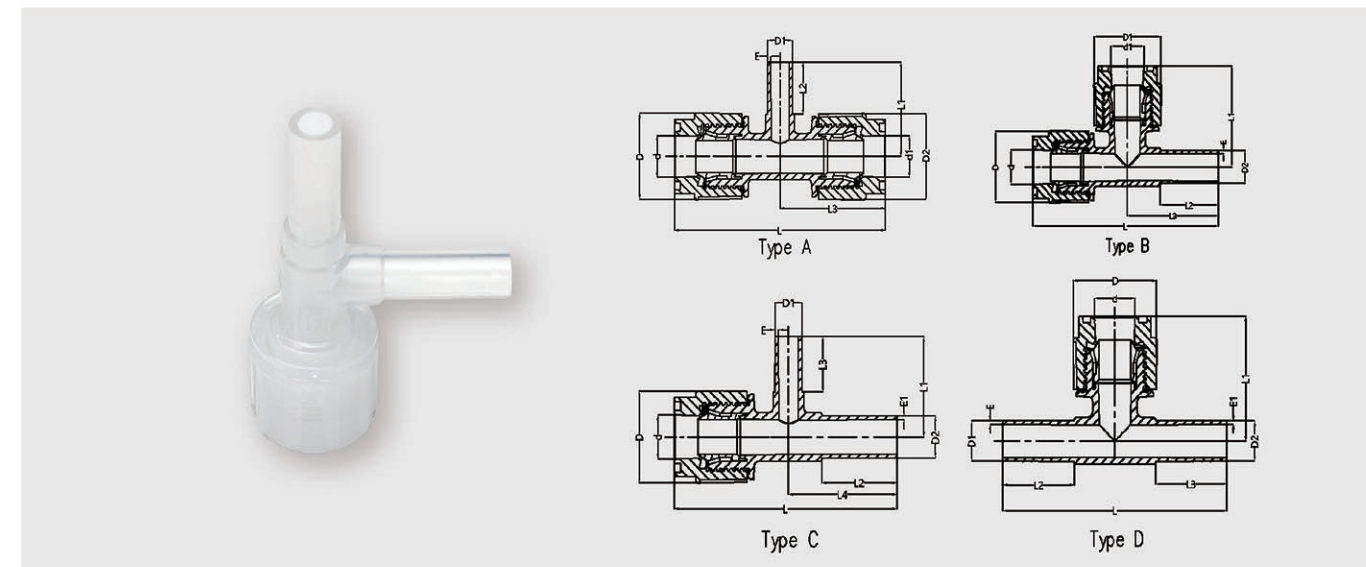


● 产品参数 SPECIFICATIONS

规格 Size	外形尺寸 Dimensions(mm)				
	D	d	D1	L	L1
CLQ1ETS-1/4"XT1/2"	17	6.5	30.4	32	42.7
CLQ1ETS-1/4"XT1/4"	17	6.5	17	29	31.5
CLQ1ETS-1/4"XT3/8"	17	6.5	24.5	32.4	38
CLQ1ETS-3/8"XT1/4"	24.5	9.7	17	32	35.1
CLQ1ETS-3/8"XT3/8"	24.5	9.7	24.5	36	42
CLQ1ETS-3/8"XT1/2"	24.5	9.7	30.4	38.7	46.5
CLQ1ETS-3/8"XT3/4"	24.5	9.7	41.2	43.7	58
CLQ1ETS-1/2"XT1/2"	30.4	12.7	30.4	42	49.7
CLQ1ETS-1/2"XT3/8"	30.4	12.7	24.5	39.8	44.6
CLQ1ETS-1/2"XT3/4"	30.4	12.7	41.2	46.8	61
CLQ1ETS-1/2"XT1"	30.4	12.7	49.2	52	71.5
CLQ1ETS-3/4"XT1"	41.2	19.0	49.2	60	75.5
CLQ1ETS-3/4"XT3/4"	41.2	19.0	41.2	56	65.5
CLQ1ETS-1"XT3/4"	49.2	25.7	41.2	63.66	70.7
CLQ1ETS-1"XT1"	49.2	25.7	49.2	66.5	81.2

PFA SPIGOT TEE SLEEVE-INSERT TYPE

PFA 入珠直管三通

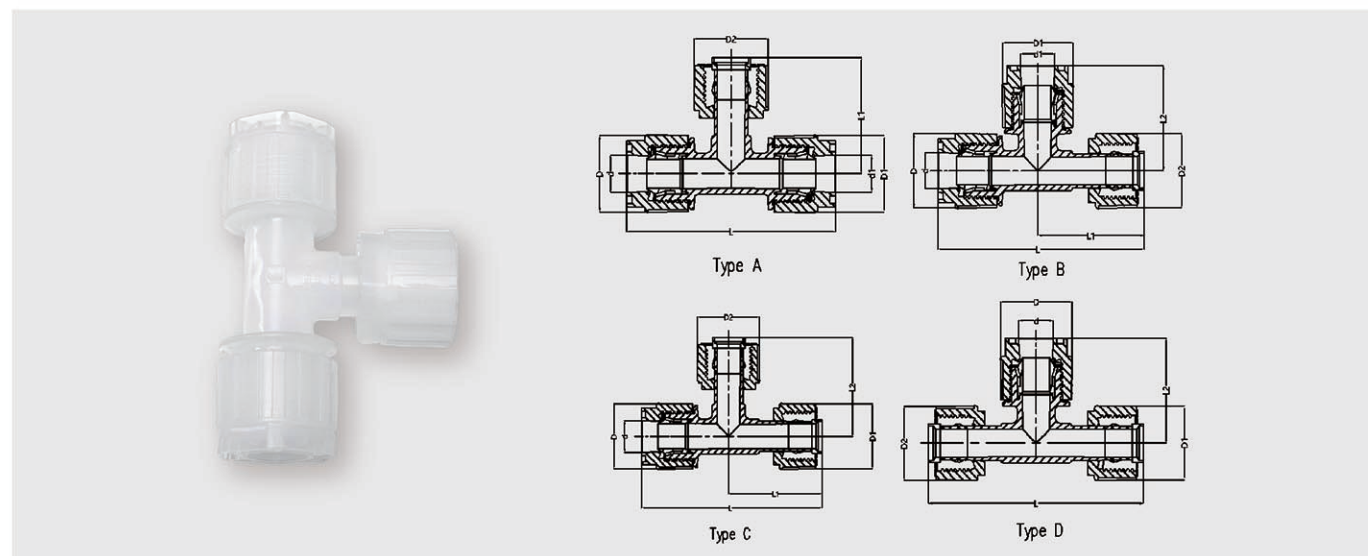


● 产品参数 SPECIFICATIONS

规格 Size	外形尺寸 Dimensions(mm)												
	Type	D	d	D1	D2	d1	L	L1	L2	L3	L4	E	E1
CLQ1TT-1/4"XT1/4"XT1/4"	C	17.00	6.50	6.35	6.35	N/A	56.60	27.84	20.10	20.10	27.84	1.20	1.20
CLQ1TT-1/4"XT1/4"XT1/4"	B	17.00	6.50	17.00	6.35	6.50	56.60	28.74	20.10	27.84	N/A	1.20	N/A
CLQ1TT-T3/8"XT3/8"XT3/8"	D	24.50	9.70	9.50	9.50	N/A	75.24	35.70	24.60	24.60	N/A	1.60	1.60
CLQ1TT-T3/8"XT3/8"XT1/4"	B	17.00	6.50	24.50	9.50	9.70	70.03	35.70	24.60	37.60	N/A	1.60	N/A
CLQ1TT-3/8"XT3/8"XT3/8"	C	24.50	9.70	9.50	9.50	N/A	73.30	37.60	24.60	24.60	37.62	1.60	1.60
CLQ1TT-3/8"XT3/8"XT3/8"	A	24.50	9.70	9.50	24.50	9.70	71.40	37.60	24.60	35.70	N/A	1.60	N/A
CLQ1TT-3/8"XT3/8"XT3/8"	B	24.50	9.70	24.50	9.50	9.70	73.30	35.70	24.60	37.60	N/A	1.60	N/A
CLQ1TT-3/8"XT1/4"XT3/8"	A	24.50	9.70	6.35	24.50	9.70	64.10	32.10	20.10	32.05	N/A	1.20	N/A
CLQ1TT-1/2"XT1/2"XT1/2"	C	30.40	12.70	12.70	12.70	N/A	82.40	40.62	24.60	24.60	40.60	1.60	1.60
CLQ1TT-1/2"XT1/2"XT1/2"	A	30.40	12.70	12.70	30.40	12.70	83.60	40.62	24.60	41.80	N/A	1.60	N/A
CLQ1TT-1/2"XT1/2"XT1/2"	B	30.40	12.70	30.40	12.70	12.70	82.40	41.80	24.60	40.62	N/A	1.60	N/A
CLQ1TT-1/2"XT3/4"XT1/2"	A	30.40	12.70	19.00	30.40	12.70	93.60	51.12	35.12	46.80	N/A	1.60	N/A
CLQ1TT-1/2"XT3/8"XT1/2"	A	30.40	12.70	9.50	30.40	12.70	77.60	41.08	24.60	38.80	N/A	1.60	N/A
CLQ1TT-1/2"XT3/8"XT1/2"	B	30.40	12.70	24.50	12.70	9.70	76.40	39.10	24.60	37.60	N/A	1.60	N/A
CLQ1TT-T3/4"XT3/4"XT3/4"	D	41.20	19.00	19.00	19.00	N/A	112.23	58.80	35.10	35.10	N/A	1.60	1.60
CLQ1TT-T3/4"XT3/4"XT1/2"	C	30.40	12.70	19.00	19.00	N/A	102.90	56.10	35.10	35.10	56.10	1.60	1.60
CLQ1TT-3/4"XT3/4"XT3/4"	C	41.20	19.00	19.00	19.00	N/A	114.92	56.10	35.10	35.10	56.10	1.60	1.60
CLQ1TT-3/4"XT3/4"XT3/4"	A	41.20	19.00	19.00	41.20	19.00	117.62	56.10	35.10	58.81	N/A	1.60	N/A
CLQ1TT-3/4"XT3/4"XT3/4"	B	41.20	19.00	41.20	19.00	19.00	114.92	58.80	35.10	56.10	N/A	1.60	N/A
CLQ1TT-3/4"XT3/4"XT1/2"	A	41.20	19.00	19.00	41.20	19.00	105.60	56.10	35.10	46.79	N/A	1.60	N/A
CLQ1TT-3/4"XT3/4"XT1"	B	41.20	19.00	41.20	25.40	19.00	124.92	58.80	45.10	66.12	N/A	1.60	N/A
CLQ1TT-3/4"XT3/4"XT1/2"	B	41.20	19.00	41.20	12.70	19.00	104.43	58.80	24.60	45.60	N/A	1.60	N/A
CLQ1TT-3/4"XT1/2"XT3/4"	C	41.20	19.00	12.70	19.00	N/A	105.92	45.60	35.10	24.60	51.60	1.60	1.60
CLQ1TT-3/4"XT1/2"XT3/4"	A	41.20	19.00	12.70	41.20	19.00	108.62	45.60	24.60	54.31	N/A	1.60	N/A
CLQ1TT-3/4"XT3/8"XT3/4"	A	41.20	19.00	9.50	41.20	19.00	102.62	45.60	24.60	51.31	N/A	1.60	N/A
CLQ1TT-3/4"XT1/4"XT3/4"	B	41.20	19.00	17.00	19.00	6.50	92.60	40.42	35.10	44.95	N/A	1.60	N/A
CLQ1TT-1"XT1"XT1"	D	49.20	25.70	25.40	25.40	N/A	142.63	68.86	45.10	45.10	N/A	1.60	1.60
CLQ1TT-1"XT1"XT1"	C	49.20	25.70	25.40	25.40	N/A	140.18	71.32	45.10	45.10	71.32	1.60	1.60
CLQ1TT-1"XT1"XT1"	A	49.20	25.70	25.40	49.20	25.70	137.73	71.32	45.10	68.87	N/A	1.60	N/A
CLQ1TT-1"XT1"XT1"	B	49.20	25.70	49.20	25.40	25.70	140.18	68.86	45.10	71.32	N/A	1.60	N/A
CLQ1TT-1"XT3/4"XT1"	B	49.20	25.70	41.20	25.40	19.00	129.78	64.00	45.10	66.12	N/A	1.60	N/A
CLQ1TT-1"XT1/2"XT1"	A	49.20	25.70	12.70	49.20	25.70	118.33	50.82	24.60	59.17	N/A	1.60	N/A

PFA TEE SPACE-SAVING SLEEVE-INSERT TYPE

PFA入珠省空间三通

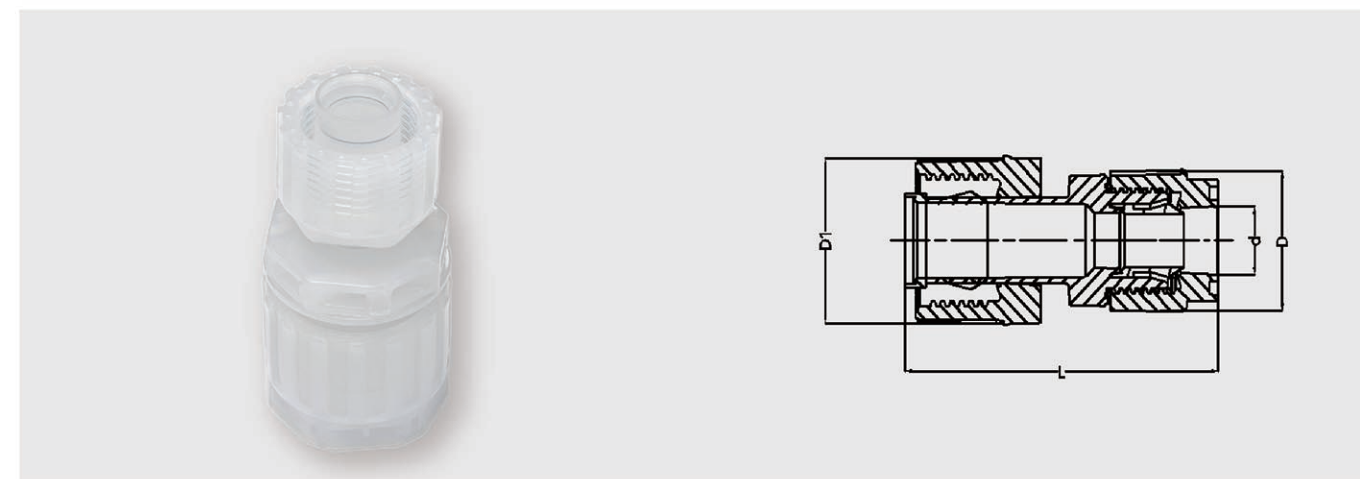


● 产品参数 SPECIFICATIONS

规格 Size	外形尺寸 Dimensions(mm)								
	Type	D	d	D1	d1	d2	L	L1	L2
CLQ1TTS-1/4"XT1/4"XT1/4"	C	17.00	6.50	17.00	N/A	17.00	62.10	33.34	33.34
CLQ1TTS-1/4"XT1/4"XT1/4"	B	17.00	6.50	17.00	6.50	17.00	62.10	25.60	28.74
CLQ1TTS-T3/8"X3/8"XT3/8"	D	24.50	9.70	24.50	N/A	24.50	87.24	N/A	35.70
CLQ1TTS-T3/8"X3/8"XT1/4"	B	17.00	6.50	24.50	9.70	24.50	76.03	43.60	35.70
CLQ1TTS-3/8"XT3/8"XT3/8"	C	24.50	9.70	24.50	N/A	24.50	79.30	43.60	43.60
CLQ1TTS-3/8"XT3/8"X3/8"	A	24.50	9.70	24.50	9.70	24.50	71.40	43.60	N/A
CLQ1TTS-3/8"X3/8"XT3/8"	B	24.50	9.70	24.50	9.70	24.50	79.30	43.60	35.70
CLQ1TTS-3/8"XT1/4"X3/8"	A	24.50	9.70	24.50	9.70	17.00	64.10	37.60	N/A
CLQ1TTS-1/2"XT1/2"XT1/2"	C	30.40	12.70	30.40	N/A	30.40	89.10	47.30	47.30
CLQ1TTS-1/2"XT1/2"XT1/2"	A	30.40	12.70	30.40	12.70	30.40	83.60	47.30	N/A
CLQ1TTS-1/2"XT1/2"XT1/2"	B	30.40	12.70	30.40	12.70	30.40	89.10	47.30	41.80
CLQ1TTS-1/2"XT3/4"XT1/2"	A	30.40	12.70	30.40	12.70	41.20	93.60	57.82	N/A
CLQ1TTS-1/2"XT3/8"XT1/2"	A	30.40	12.70	30.40	12.70	24.50	77.60	47.08	N/A
CLQ1TTS-1/2"X3/8"XT1/2"	B	30.40	12.70	24.50	9.70	30.40	83.10	44.30	39.10
CLQ1TTS-T3/4"X3/4"XT3/4"	D	41.20	19.00	41.20	N/A	41.20	125.63	N/A	58.80
CLQ1TT-T3/4"XT3/4"XT1/2"	C	30.40	12.70	41.20	N/A	41.20	109.60	41.80	62.80
CLQ1TTS-3/4"XT3/4"XT3/4"	C	41.20	19.00	41.20	N/A	41.20	121.62	62.80	62.80
CLQ1TTS-3/4"XT3/4"X3/4"	A	41.20	19.00	41.20	19.00	41.20	117.62	62.80	N/A
CLQ1TTS-3/4"X3/4"XT3/4"	B	41.20	19.00	41.20	19.00	41.20	121.62	62.80	65.50
CLQ1TTS-3/4"XT3/4"XT1/2"	A	41.20	19.00	30.40	12.70	41.20	105.60	62.80	N/A
CLQ1TTS-3/4"X3/4"XT1"	B	41.20	19.00	41.20	19.00	49.20	131.62	72.82	58.80
CLQ1TTS-3/4"X3/4"XT1/2"	B	41.20	19.00	41.20	19.00	30.40	111.13	52.30	58.80
CLQ1TTS-3/4"XT1/2"XT3/4"	C	41.20	19.00	41.20	N/A	30.40	112.62	58.30	52.30
CLQ1TTS-3/4"XT1/2"X3/4"	A	41.20	19.00	41.20	19.00	30.40	108.62	52.30	N/A
CLQ1TTS-3/4"XT3/8"X3/4"	A	41.20	19.00	41.20	19.00	24.50	102.62	51.60	N/A
CLQ1TTS-3/4"X1/4"XT3/4"	B	41.20	19.00	17.00	6.50	41.20	99.30	51.65	40.42
CLQ1TTS-1"XT1"XT1"	D	49.20	25.70	49.20	N/A	49.20	156.03	N/A	68.86
CLQ1TTS-1"XT1"XT1"	C	49.20	25.70	49.20	N/A	49.20	146.88	78.02	78.02
CLQ1TTS-1"XT1"X1"	A	49.20	25.70	49.20	25.70	49.20	137.73	78.02	N/A
CLQ1TTS-1"X1"XT1"	B	49.20	25.70	49.20	25.70	49.20	146.88	78.02	68.86
CLQ1TTS-1"X3/4"XT1"	B	49.20	25.70	49.20	25.70	49.20	136.48	72.82	64.00
CLQ1TTS-1"XT1/2"X1"	A	49.20	25.70	49.20	25.70	30.40	118.33	57.52	N/A

PFA CONNECTOR SPACE-SAVING SLEEVE-INSERT TYPE

PFA 入珠省空间直通

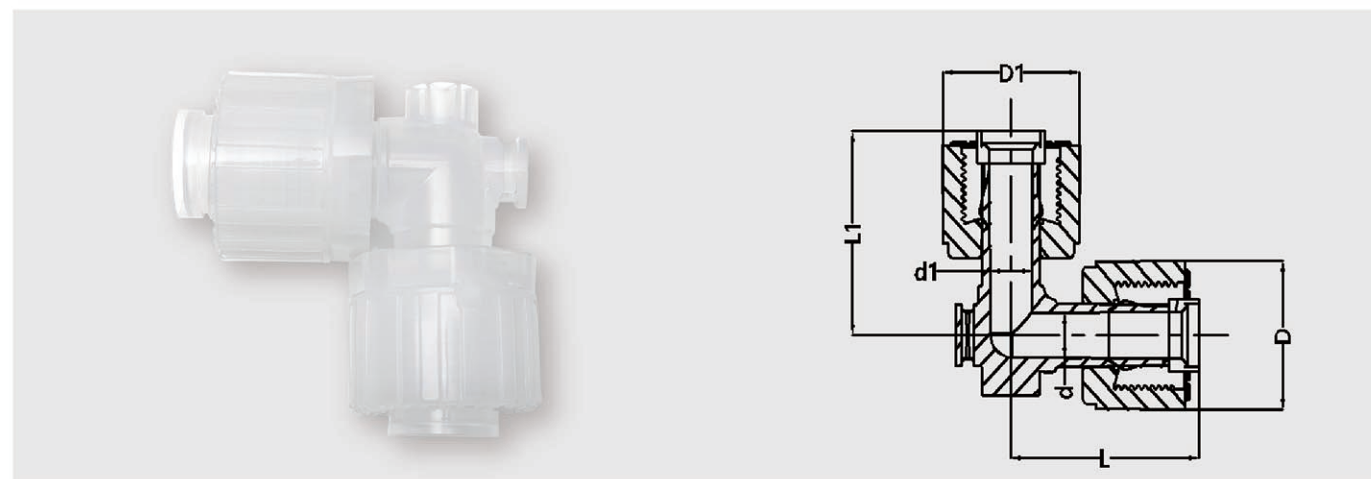


● 产品参数 SPECIFICATIONS

规格 Size	外形尺寸 Dimensions(mm)			
	D	d	D1	L
CLQ1UTS-1/4"XT1/2"	17	6.5	30.4	56.7
CLQ1UTS-1/4"XT3/8"	17	6.5	24.5	56.7
CLQ1UTS-3/8"XT3/4"	24.5	9.7	41.2	72.5
CLQ1UTS-3/8"XT1/2"	24.5	9.7	30.4	53.4
CLQ1UTS-1/2"XT1"	30.4	12.7	49.2	86.7
CLQ1UTS-1/2"XT3/4"	30.4	12.7	41.2	76.7
CLQ1UTS-3/4"XT1"	41.2	19	49.2	99.7
CLQ1UTS-3/4"XT1/2"	41.2	19	30.4	79.1
CLQ1UTS-3/4"XT3/8"	41.2	19	24.5	78.5
CLQ1UTS-1"XT3/4"	49.2	25.7	41.2	94.5

PFA 90 DEGREE ELBOW DUAL SPACE-SAVING SLEEVE-INSERT TYPE

PFA 入珠双头省空间弯头

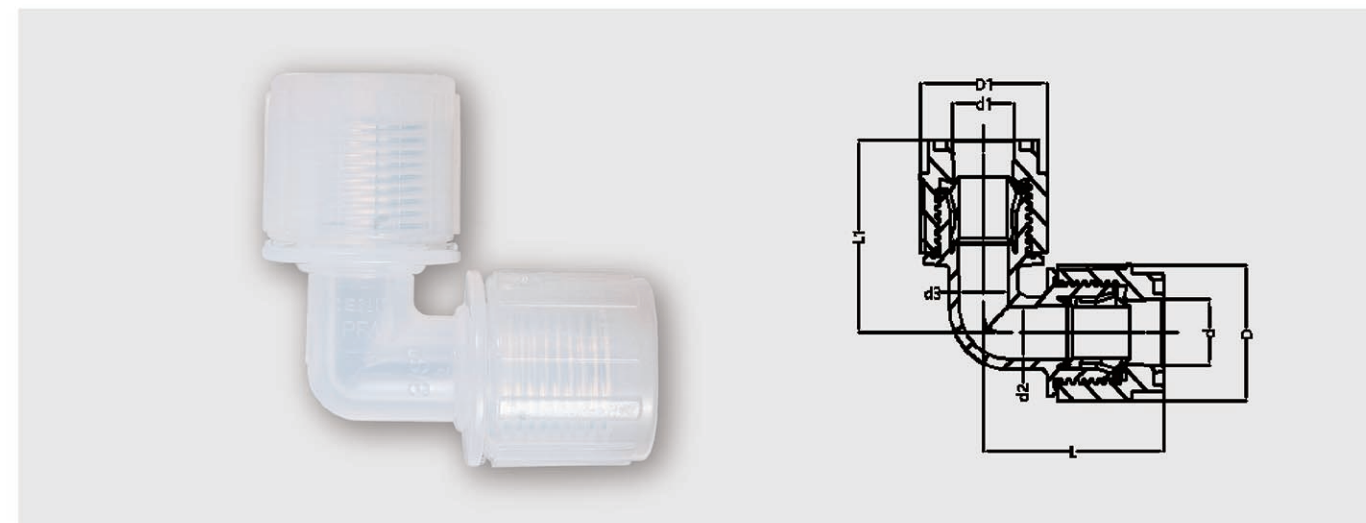


● 产品参数 SPECIFICATIONS

规格 Size	外形尺寸 Dimensions(mm)					
	D	d	D1	d1	L	L1
CLQ1EAS-T1/4"XT1/4"	17	4.1	17	4.1	31.75	31.75
CLQ1EAS-T3/8"XT1/4"	24.5	6.3	17	4.1	38.25	33.1
CLQ1EAS-T3/8"XT3/8"	24.5	6.3	24.5	6.3	38.25	38.25
CLQ1EAS-T1/2"XT3/8"	30.4	9.5	24.5	6.3	40.4	41.3
CLQ1EAS-T1/2"XT1/2"	30.4	9.5	30.4	9.5	42	42
CLQ1EAS-T3/4"XT3/4"	41.2	15.8	41.2	15.8	57.2	57.2
CLQ1EAS-T1"XT1"	49.2	22.2	49.2	22.2	69.2	69.2

PFA 90 DEGREE ELBOW SLEEVE-INSERT TYPE

PFA 入珠弯头



● 产品参数 SPECIFICATIONS

规格 Size	外形尺寸 Dimensions(mm)							
	D	d	D1	d1	d2	d3	L	L1
CLQ1E-1/8"X1/8"	12	3.7	12	3.7	2	2	18.9	18.9
CLQ1E-1/4"X1/4"	17	6.5	17	6.5	3.9	3.9	28.7	28.7
CLQ1E-3/8"X1/4"	24.5	9.7	17	6.5	6.5	3.9	32.06	32.4
CLQ1E-3/8"X3/8"	24.5	9.7	24.5	9.7	6.5	6.5	35.4	35.4
CLQ1E-1/2"X1/4"	30.4	12.7	17	6.5	9.6	3.9	35.15	35.4
CLQ1E-1/2"X3/8"	30.4	12.7	24.5	9.7	9.6	6.5	38.8	38.7
CLQ1E-1/2"X1/2"	30.4	12.7	30.4	12.7	9.6	9.6	41.8	41.8
CLQ1E-3/4"X1/2"	41.2	19	30.4	12.7	15.8	9.6	54.31	46.8
CLQ1E-3/4"X3/4"	41.2	19	41.2	19	15.8	15.8	52.31	52.31
CLQ1E-3/4"X3/8"	41.2	19	24.5	9.7	15.8	6.5	51.3	43.7
CLQ1E-3/4"X1/4"	41.2	19	17	6.5	15.8	3.9	47.67	40.4
CLQ1E-1"X3/4"	49.2	25.7	41.2	19	22.2	15.8	66.37	64.05
CLQ1E-1"X1"	49.2	25.7	49.2	25.7	22.2	22.2	68.86	68.86

PFA CONNECTOR SLEEVE-INSERT TYPE

PFA 入珠直通

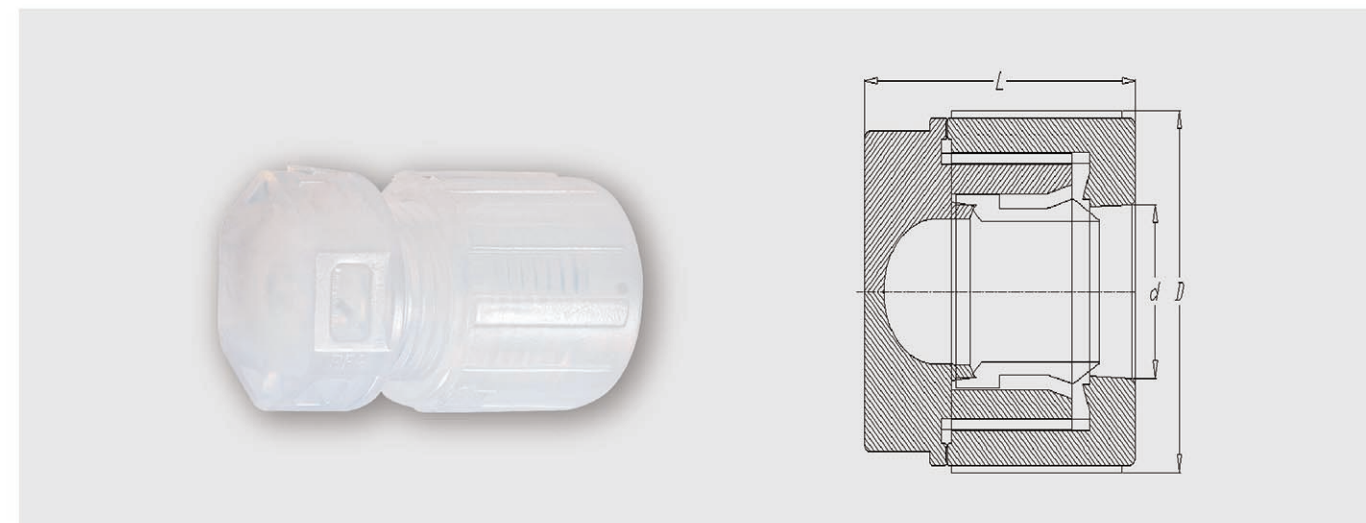


● 产品参数 SPECIFICATIONS

规格 Size	外形尺寸 Dimensions(mm)								
	D	d	d1	D2	d2	d3	L	L2	L3
CLQ1U-1/8"X1/8"	12	3.7	2.1	12	3.7	2.1	29	10.8	10.8
CLQ1U-1/4"X1/8"	17	6.5	3.9	12	3.7	2.1	36.4	17	10.8
CLQ1U-1/4"X1/4"	17	6.5	3.9	17	6.4	3.9	44.8	17	17
CLQ1U-3/8"X1/4"	24.5	9.7	6.5	17	6.4	3.9	50	20.0	17
CLQ1U-3/8"X3/8"	24.5	9.7	6.5	24.3	9.7	6.5	52.8	20.0	20.0
CLQ1U-1/2"X1/4"	30.4	12.7	9.6	30.6	12.7	9.6	51.6	23.0	17
CLQ1U-1/2"X3/8"	30.4	12.7	9.6	24.3	9.7	6.5	54.2	23.0	20.0
CLQ1U-1/2"X1/2"	30.4	12.7	9.6	30.6	12.7	9.6	57.6	23.0	23.0
CLQ1U-3/4"X1/4"	41.2	19.0	15.8	17	6.4	3.9	65.7	34.6	17
CLQ1U-3/4"X3/8"	41.2	19.0	15.8	24.3	9.7	6.5	61.5	34.6	20.0
CLQ1U-3/4"X1/2"	41.2	19.0	15.8	30.6	12.7	9.6	64.5	34.6	23.0
CLQ1U-3/4"X3/4"	41.2	19.0	15.8	42.0	19.0	15.8	72.6	34.6	34.6
CLQ1U-1"X3/8"	49.2	25.7	22.2	24.3	9.7	6.5	66.0	39.3	20.0
CLQ1U-1"X1/2"	49.2	25.7	22.2	30.6	12.7	9.6	69.0	39.3	23.0
CLQ1U-1"X3/4"	49.2	25.7	22.2	42.0	19.0	15.8	74.1	39.3	34.6
CLQ1U-1"X1"	49.2	25.7	22.2	50.4	25.4	22.2	80.7	39.3	39.3

PFA CAP SLEEVE-INSERT TYPE

PFA 入珠管堵

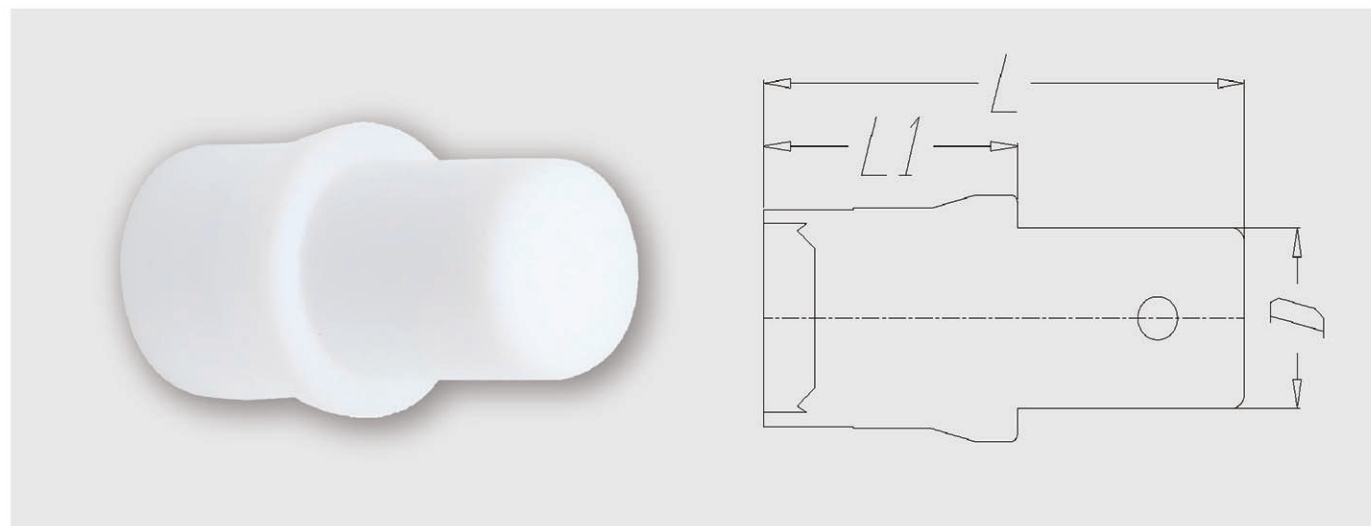


● 产品参数 SPECIFICATIONS

规格 Size	外形尺寸 Dimensions(mm)		
	D	d	D1
CLQ1CP-1/8"	12	3.7	17
CLQ1CP-1/4"	17.0	6.5	25.4
CLQ1CP-3/8"	24.5	9.5	37.3
CLQ1CP-1/2"	30.4	12.7	34.8
CLQ1CP-3/4"	41.2	19.0	41.3
CLQ1CP-1"	49.2	25.7	45.4

PTFE PLUG

PTFE 堵头

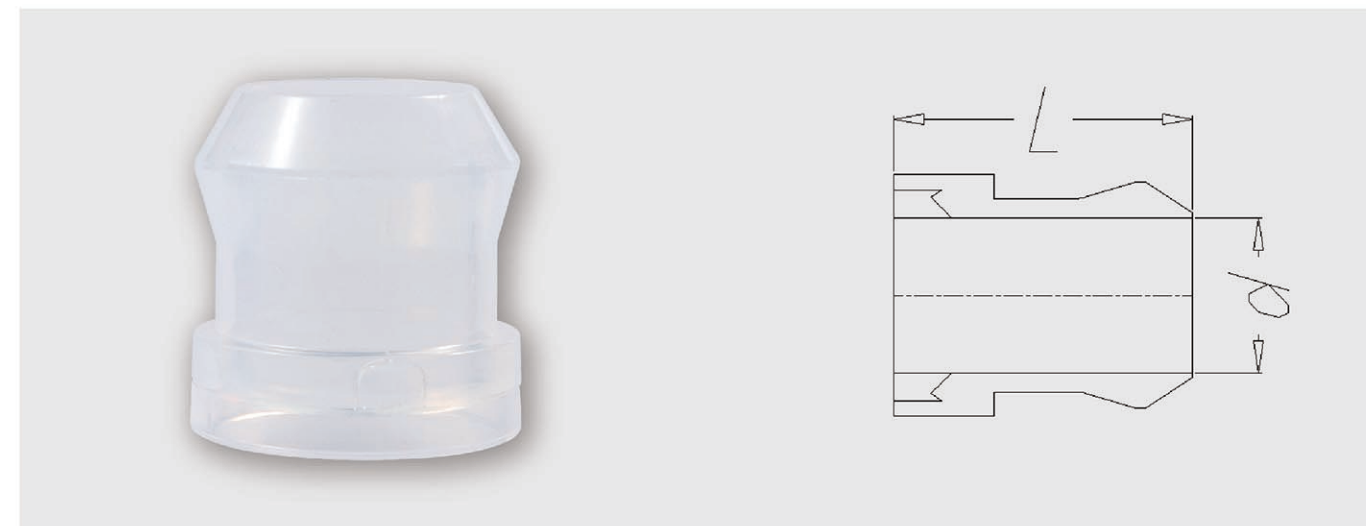


● 产品参数 SPECIFICATIONS

规格 Size	外形尺寸 Dimensions(mm)		
	D	L	L1
CLQP-1/8"	3	13.1	7.1
CLQP-1/4"	6.5	23.5	14.0
CLQP-3/8"	9.5	31.0	16.0
CLQP-1/2"	12.7	36.0	19.0
CLQP-3/4"	19.0	42.0	20.0
CLQP-1"	25.7	45.6	22.7

PFA SLEEVE INSERT

PFA 入珠

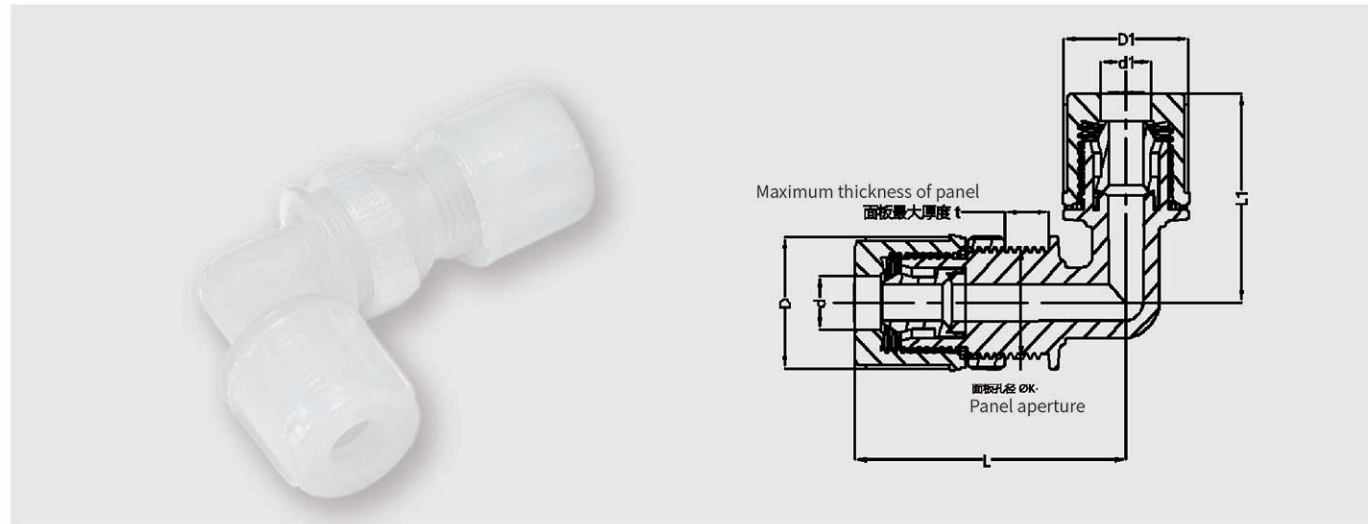


● 产品参数 SPECIFICATIONS

规格 Size	外形尺寸 Dimensions(mm)	
	d	L
CPS-1/8"	2	7.62
CPS-1/4"	3.9	14.9
CPS-3/8"	6.5	16.3
CPS-1/2"	9.6	20.0
CPS-3/4"	15.6	22.9
CPS-1"	22.2	26.2

PFA PANEL MOUNT 90 DEGREE ELBOW SLEEVE-INSERT TYPE

PFA 入珠面板安装90°弯头

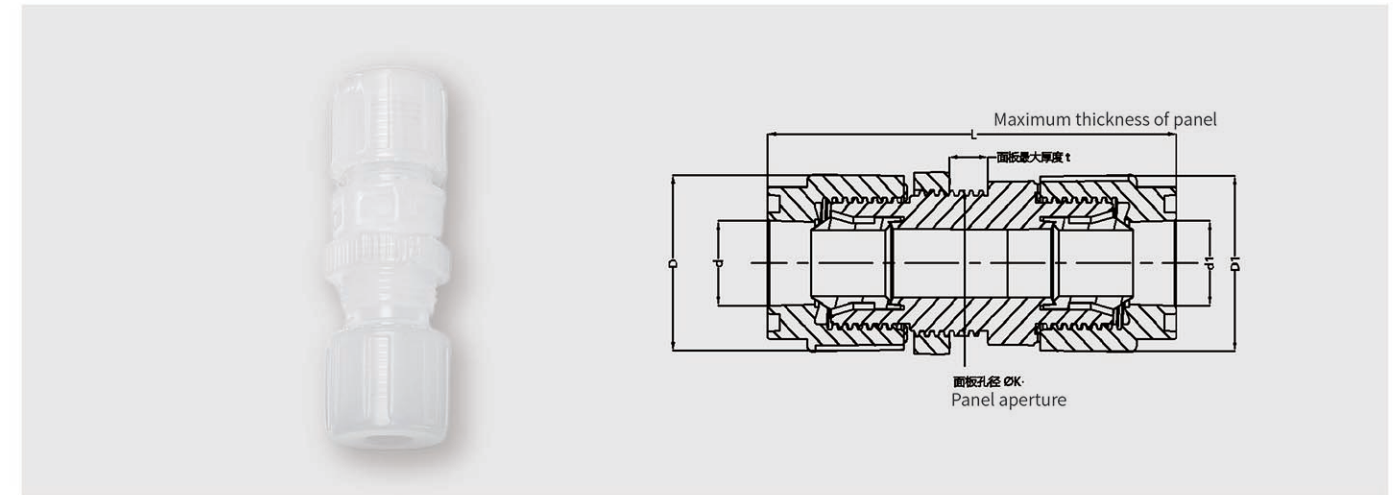


● 产品参数 SPECIFICATIONS

规格 Size	外形尺寸 Dimensions(mm)							
	D	d	D1	d1	L	L1	t	K
CLQ3L-3/8"X3/8"	24.5	9.7	24.5	9.7	50.68	37.43	8	20

PFA PANEL MOUNT CONNECTOR SLEEVE-INSERT TYPE

PFA 入珠面板安装接头



● 产品参数 SPECIFICATIONS

规格 Size	外形尺寸 Dimensions(mm)						
	D	d	D1	d1	L	t	K
CLQ3P-1/8"	12	3.7	12	3.7	40.8	7.55	8
CLQ3P-1/4"	17.0	6.5	17.0	6.5	58.0	8	13.5
CLQ3P-1/4"X3/8"	17.0	6.5	24.5	9.7	63.1	7.6	12.7
CLQ3P-3/8"	24.5	9.5	24.5	9.5	66.0	8	20.5
CLQ3P-1/2"	30.4	12.7	30.4	12.7	75.0	8	24.5
CLQ3P-1/2"X3/4"	30.4	12.7	41.2	19.0	88.4	9.45	23.9
CLQ3P-3/4"	41.2	19.0	41.2	19.0	98.0	9	35
CLQ3P-1"	49.2	25.7	49.2	25.7	116.0	10	44

PFA 90 DEGREE ELBOW SLEEVE-INSERT TYPE FOR QUARTZ

PFA 入珠石英管弯头

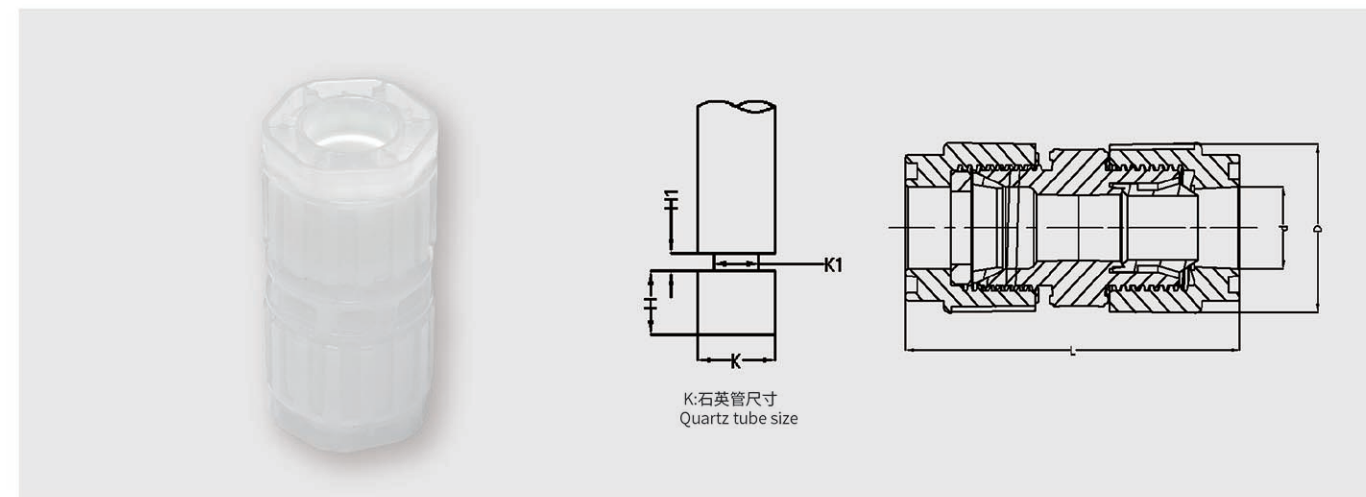


● 产品参数 SPECIFICATIONS

规格 Size	外形尺寸 Dimensions(mm)							
	D	d1	L	L1	K	K1	H	H1
CLQ1ED-1/4"XD8	17	6.5	28.7	30.5	φ8(0/-0.2)	6	6	4
CLQ1ED-1/2"XD12	30.4	12.7	38.8	41.4	φ12(0/-0.2)	10	11	5
CLQ1ED-1/2"XD16	30.4	12.7	41.8	46.3	φ16(0/-0.2)	14	13	6
CLQ1ED-3/4"XD20	41.2	19.0	57	63	φ20(0/-0.2)	18	13.8	6
CLQ1ED-3/4"XD25	41.2	19.0	59	67	φ25(0/-0.2)	23	23	8
CLQ1ED-1"XD25	49.2	25.7	68.8	70	φ25(0/-0.2)	23	23	8

PFA CONNECTOR SLEEVE-INSERT TYPE FOR QUARTZ

PFA 入珠石英管直通

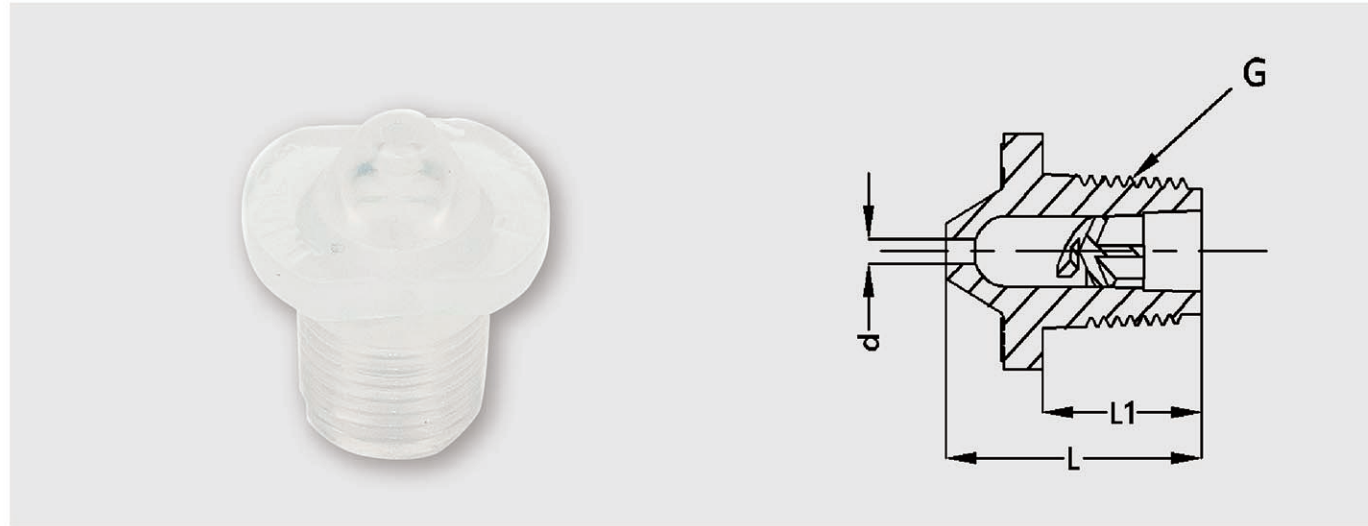


● 产品参数 SPECIFICATIONS

规格 Size	外形尺寸 Dimensions(mm)						
	D	d1	L	K	K1	H	H1
CLQ1UD-1/4"XD8	17	6.5	46.6	φ8(0/-0.2)	6	6	4
CLQ1UD-1/2"XD12	30.4	12.7	57.6	φ12(0/-0.2)	10	11	5
CLQ1UD-1/2"XD16	30.4	12.7	64.1	φ16(0/-0.2)	14	13	6
CLQ1UD-3/4"XD20	41.2	19.0	87	φ20(0/-0.2)	18	13.8	6
CLQ1UD-3/4"XD25	41.2	19.0	93.9	φ25(0/-0.2)	23	23	8
CLQ1UD-1"XD25	49.2	25.7	100.55	φ25(0/-0.2)	23	23	8

PFA NOZZLE

PFA 喷嘴



● 产品参数 SPECIFICATIONS

规格 Size	外形尺寸 Dimensions(mm)			
	d	L	L1	G
CPPA-1/8"	1.55	17.7	11	R1/8"